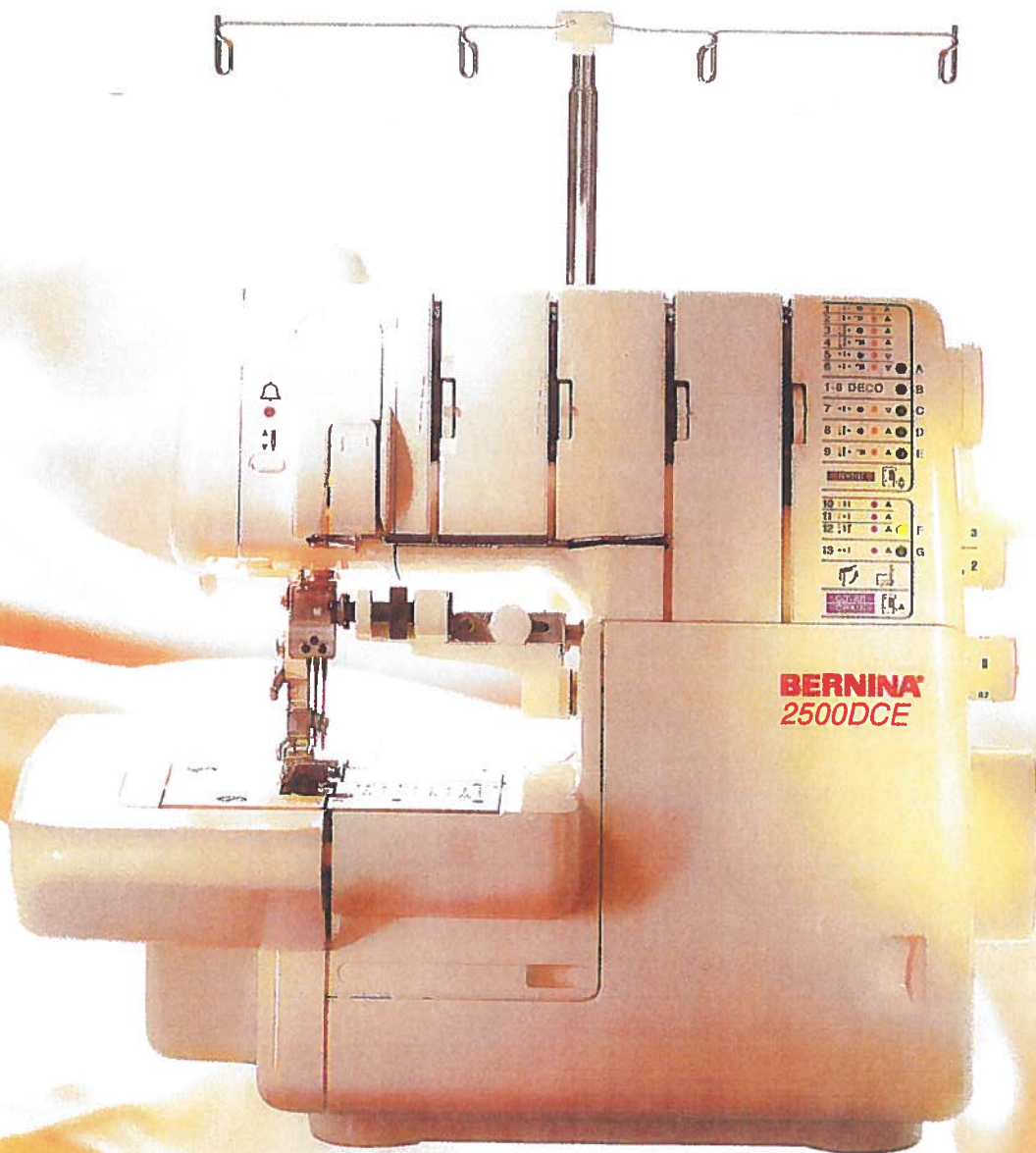


BERNINA®

Overlocker / Serger

Instruction Manual



BERNINA® 2500DCE

IMPORTANT SAFETY INSTRUCTIONS

When using an electrical appliance, basic safety precautions should always be followed, including the following. Read all instructions before using this overlock sewing machine.

DANGER

To reduce the risk of electric shock:

1. The appliance should never be left unattended when plugged in.
2. Always unplug this appliance from the electric outlet immediately after using and before cleaning.
3. Always unplug before relamping. Replace bulb with the same type rated max. 12 volts/5 watts.

WARNING


To reduce the risk of burns, fire, electric shock or injury to persons:

1. Do not allow this appliance to be used as a toy. Close attention is necessary when this appliance is used by or near children.
2. Use this appliance only for its intended use as described in this manual. Use only attachments recommended by the manufacturer as contained in this manual.
3. Never operate this appliance if it has a damaged cord or plug, if it is not working properly, if it has been dropped or damaged or dropped into water. Return the appliance to the nearest authorized dealer or service center for examination, repair, electrical or mechanical adjustment.
4. Never operate the appliance with any air openings blocked. Keep ventilation openings of the sewing machine and foot controller free from accumulation of lint, dust and loose cloth.
5. Keep fingers away from all moving parts. Special care is required around the sewing needle and knife.
6. Always use the proper needle plate. The wrong plate can cause the needle to break.
7. Do not use bent needles.
8. Do not pull or push fabric while stitching. It may deflect the needle causing it to break.
9. Switch the sewing machine off («O») when making any adjustments in the needle area, such as threading needle, changing needle, threading looper, or changing presser foot and the like.
10. Always unplug the machine from the electrical outlet when removing covers, lubricating or when making any other user servicing adjustments mentioned in the instruction manual.

11. Never drop or insert any object into any opening.
12. Do not use outdoors.
13. Do not operate where aerosol (spray) products are being used or where oxygen is being administered.
14. To disconnect, turn all controls to the off («O») position, then remove plug from outlet.
15. Do not unplug by pulling on cord. To unplug, grasp the plug not the cord.
16. Basically, the machine should be disconnected from the electricity supply when not in use.
17. This appliance is provided with double insulation (except USA/CANADA). Use only identical replacement parts. See instructions for servicing of double insulated products.

SERVICING DOUBLE-INSULATED PRODUCTS

(except USA/CANADA)

In a double-insulated product, two systems of insulation are provided instead of grounding. No grounding means is provided on a double-insulated product nor should a means for grounding be added to the product. Servicing a double-insulated product requires extreme care and knowledge of the system and should only be done by qualified service personnel. Replacement parts for a double-insulated product must be identical to those parts in the product. A double insulated product is marked with the words «DOUBLE INSULATION» or «DOUBLE INSULATED». The symbol  may also be marked on the product.

SAVE THESE INSTRUCTIONS!

This overlock/cover stitch machine is intended for household use only.



Dear Customer

Congratulations on the purchase of your BERNINA 2500DCE overlocker. You are now the proud owner of an overlock sewing machine which fulfils every expectation in terms of use and quality. The unique stitch selection and pre-set tensions make sewing easier than ever and will give you years of pleasure.

Our comprehensive instruction manual takes you step by step through the features and handling of your new machine. We also provide you with tips and suggestions for using the various overlock stitches, roll hem, cover and chain stitch. On the last page of the manual, you will find a list of optional accessories and BERNINA services which provide even more scope for getting the most out of your new overlocker.

If you require any further information about your overlocker or sewing in general, please do not hesitate to contact your BERNINA dealer who will be delighted to help you.

We wish you happy and successful overlocking.

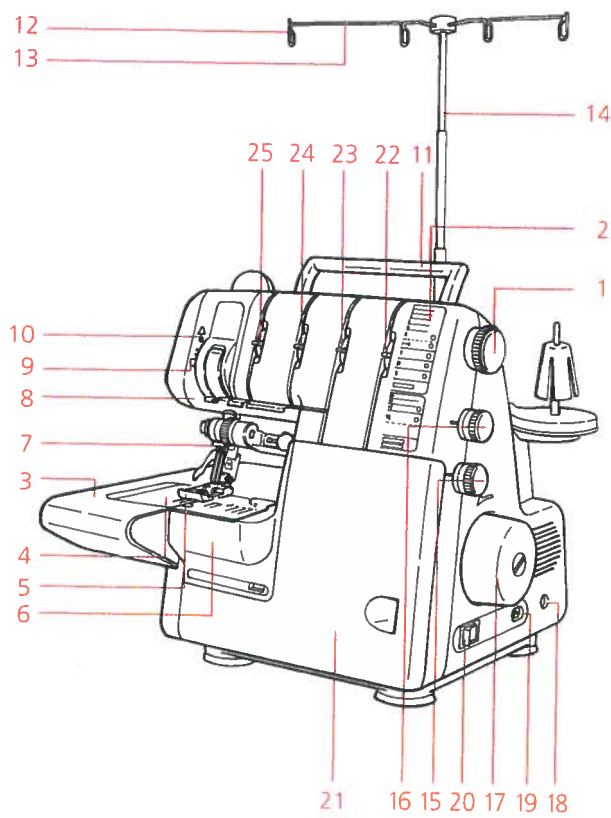
Hanspeter Ueltschi
President
FRITZ GEGAUF LTD.
CH-8266 Steckborn, Switzerland

FRITZ GEGAUF LTD · BERNINA-Nähmaschinenfabrik · CH-8266 Steckborn

- Details of the machine
- Setting up the machine
- Functions and general operating instructions
- Needles, thread, fabric
- Stitch chart and stitch selection
- Threading instructions for overlock and cover/chain stitch
 - Overlock threading
 - Overlock test sewing and fine tuning
- Cover/chain stitch functions and general instructions
 - Cover stitch threading
 - Cover stitch test sewing and fine tuning
 - Chain stitch threading
 - Chain stitch threading and fine tuning
- Converting from overlock to cover/chain stitch
- Converting from cover/chain stitch to overlock
- Overlock practical sewing, needles and threads
 - Cover stitch practical sewing
 - Chain stitch practical sewing
- Maintenance
- Trouble shooting
- Index
- Technical information
- Optional Accessories
- BERNINA publications

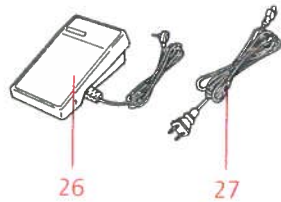
BERNINA 2500DCE cover/chain stitch mode

6



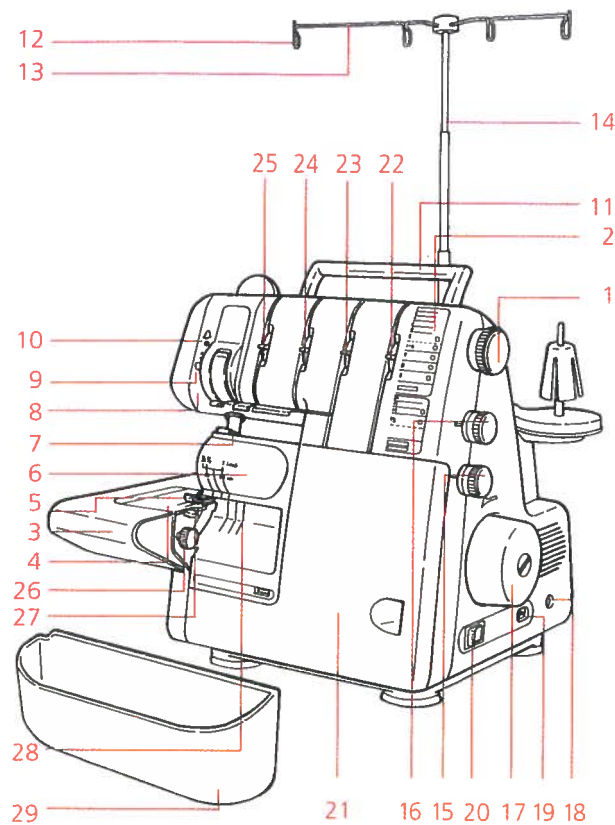
View from the front

- 1 Stitch selection dial
- 2 Stitch display
- 3 Cloth plate/free arm
- 4 Stitch plate
- 5 Standard presser foot with tape guide
- 6 Cover stitch extension plate
- 7 Needle clamp
- 8 Sewing light
- 9 Needle stop
- 10 Safety control light
- 11 Carrying handle
- 12 Thread guide
- 13 Thread guide support
- 14 Support rod
- 15 Differential feed dial
- 16 Stitch length dial
- 17 Handwheel
- 18 Foot control socket
- 19 Machine socket
- 20 Power switch
- 21 Looper cover
- 22 Lower looper fine tuning (purple)
- 23 Needle R fine tuning (brown)
- 24 Needle C fine tuning (green)
- 25 Needle L fine tuning (yellow)
- 26 Foot control
- 27 Power cord



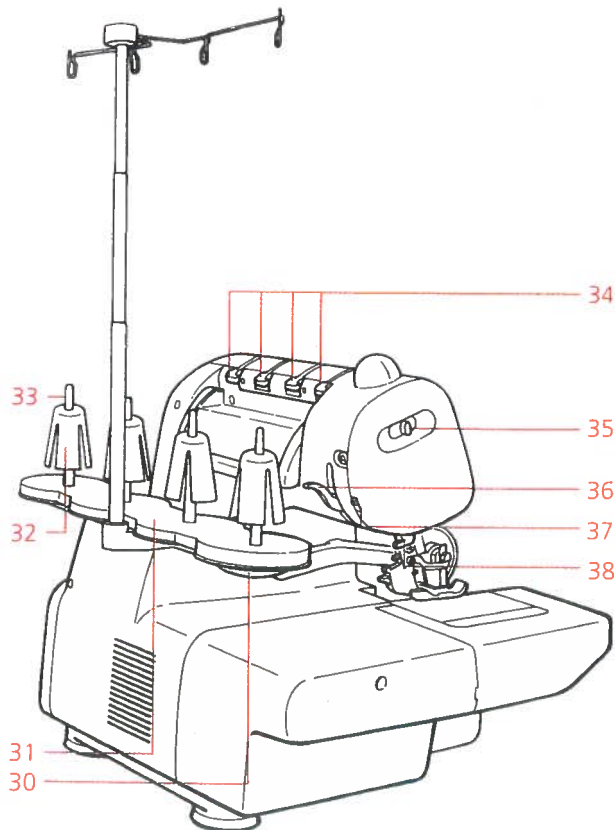
Foot control:
Model Nr. YC-425

BERNINA 2500DCE overlock mode



View from the front

- 1 Stitch selection dial
- 2 Stitch display
- 3 Cloth plate/free arm
- 4 Stitch plate
- 5 Standard presser foot with tape guide
- 6 Knife guard
- 7 Needle clamp
- 8 Sewing light
- 9 Needle stop
- 10 Safety control light
- 11 Carrying handle
- 12 Thread guide
- 13 Thread guide support
- 14 Support rod
- 15 Differential feed dial
- 16 Stitch length dial
- 17 Handwheel
- 18 Foot control socket
- 19 Machine socket
- 20 Power switch
- 21 Looper cover
- 22 Lower looper fine tuning (red)
- 23 Upper looper fine tuning (blue)
- 24 Needle C fine tuning (green)
- 25 Needle L fine tuning (yellow)
- 26 Cutting width dial
- 27 Roll hem selection lever
- 28 Cutting lines
- 29 Waste collector

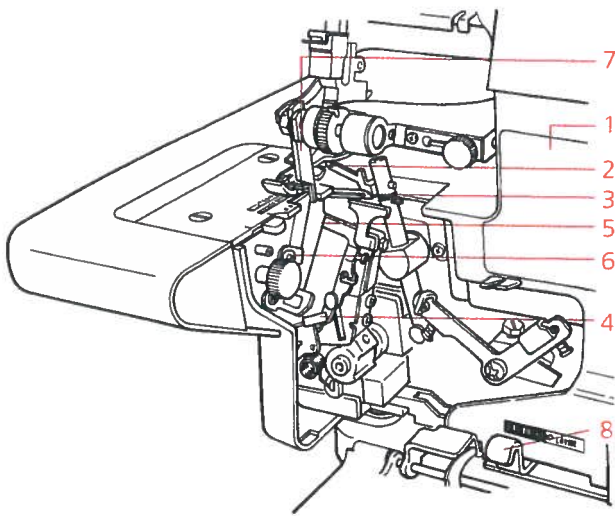


View from the back

- 30 Thread stand
- 31 Foam pad
- 32 Spool stabilizers
- 33 Spool pin
- 34 First thread guide
- 35 Presser foot pressure control
- 36 Presser foot lifter
- 37 Light switch
- 38 Thread cutter

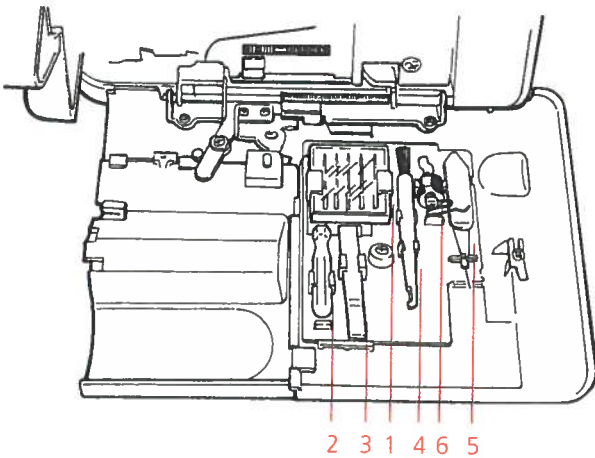
View with looper cover open

8



- 1 Threading diagram
- 2 Upper looper (blue)
- 3 Lower looper (red)
- 4 Lower looper auto-threader
- 5 Lower knife
- 6 Lower knife setscrew
- 7 Upper knife
- 8 Conversion arm

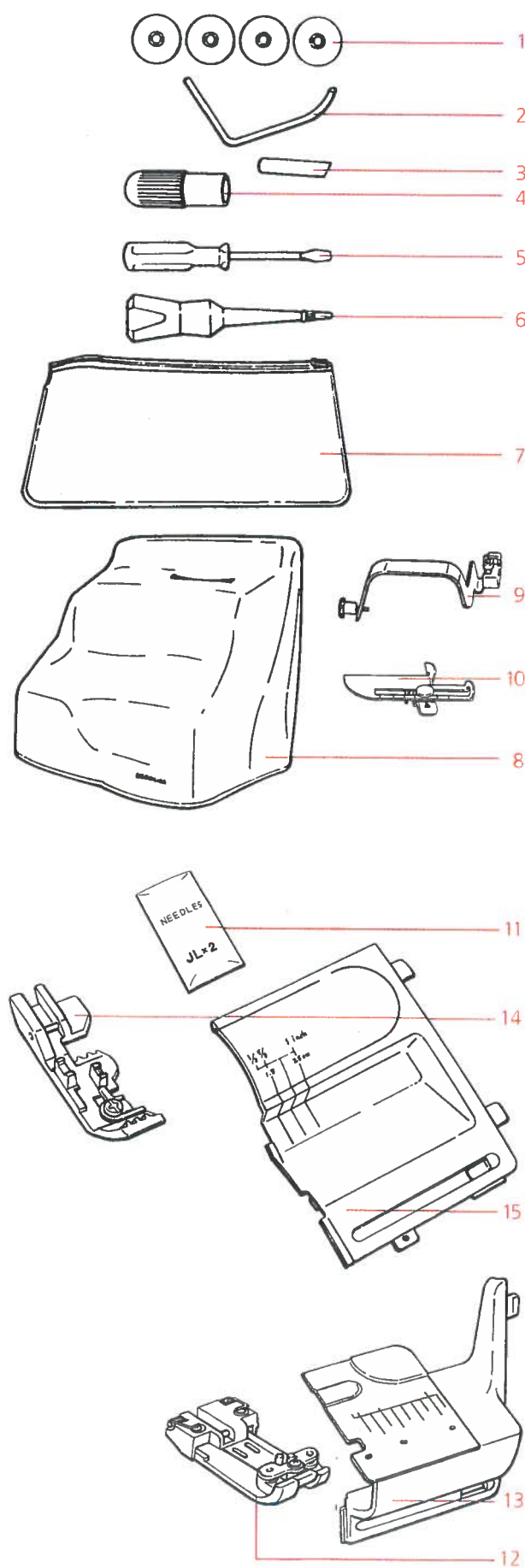
Accessories in looper cover



The most important threading and machine accessories are neatly stored in the looper cover and always to hand.

- 1 Household needles 130/705H (2x70, 3x80)
- 2 Small screwdriver
- 3 Tweezers
- 4 Brush/needle inserter
- 5 Needle and looper threader
- 6 Upper looper converter

Accessories



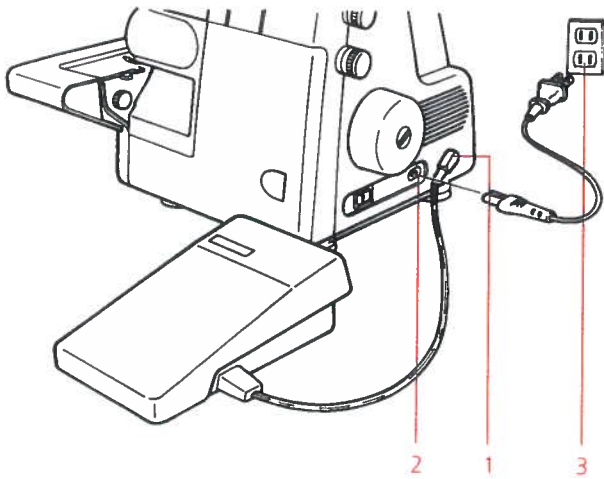
All other accessories are stored in the accessory bag and box.

- 1 Spool caps
- 2 Seam guide left
- 3 Spare knife
- 4 Bulb holder
- 5 Large screwdriver
- 6 Oiler
- 7 Accessory bag
- 8 Dust cover
- 9 Deco guide
- 10 Seam guide right
- 11 Needle set JLx2 (2x80)
- 12 Cover stitch presser foot*
- 13 Cover/chain stitch extension plate
- 14 Standard foot with tape guide
- 15 Knife guard

*Cover stitch presser foot

Instructions for using the cover stitch presser foot (compensating foot) are on page 59.

Cover stitch:
Depending on whether your machine is supplied in overlock or cover stitch mode, either of the accessories 13 or 15 will be attached to the machine



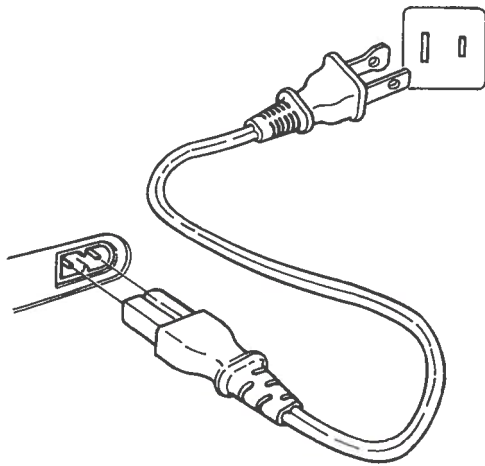
Attaching the foot control

2500DCE

Plug the foot control into the machine socket (1) on the right side of the machine. Plug the power cord into the machine socket (2) and into the mains socket (3).

Warning

This appliance has a polarized plug (one blade wider than the other). To reduce the risk of electric shock, this plug is intended to fit in a polarized main socket only one way. If the plug does not fit fully in the polarized main socket, reverse the plug. If it still does not fit, contact a qualified electrician to install the proper polarized main socket. Do not modify the plug in any way (for USA, Canada only). For the BERNINA 2500DCE use only the foot control model YC-425 (USA, Canada).

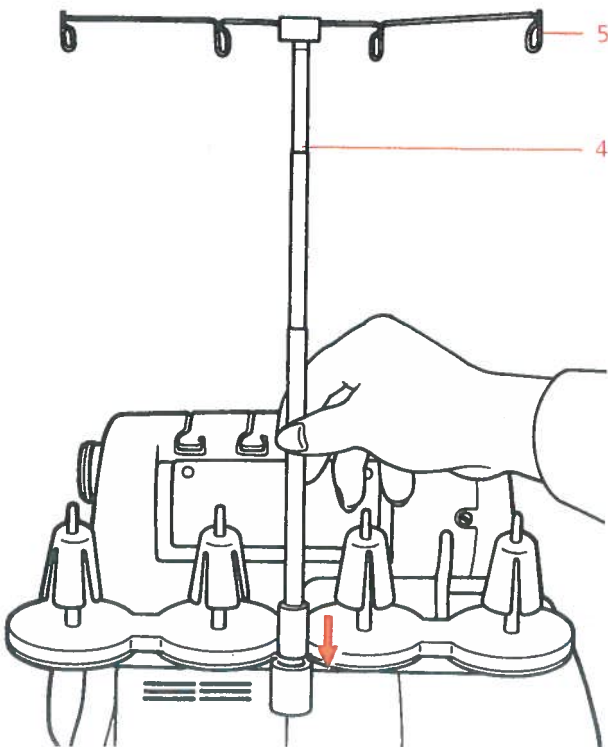


Sewing speed

Decrease or increase the pressure on the electronic foot control for fully variable speed control.

The maximum sewing speed for:	
Overlock stitch mode A to E	1500 s.p.m.
Cover/chain stitch mode F and G	800 s.p.m.

The maximum sewing speeds are automatically set by the stitch selection dial.

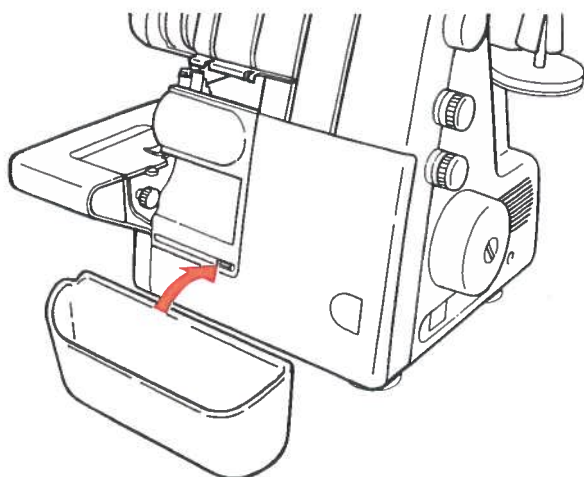


Thread stand

Push the support rod firmly into the socket on the back of the machine.

Raise the support rod (4) fully, turning slightly until the positioning catches engage. Position the thread guide (5) on the thread stand so that it is parallel to the machine.

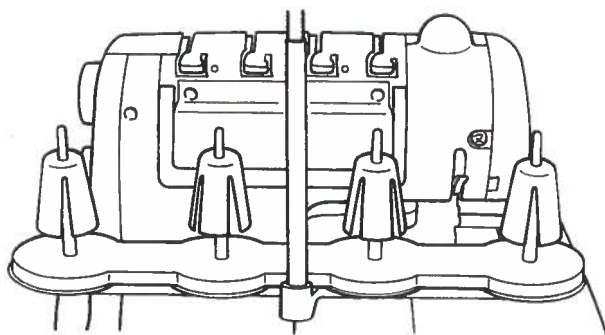
Waste collector



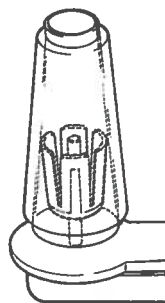
Clip the waste collector into the opening on the looper cover. It catches the cut-off fabric as you sew, keeping your working area neat and tidy.

Thread, cones, spools

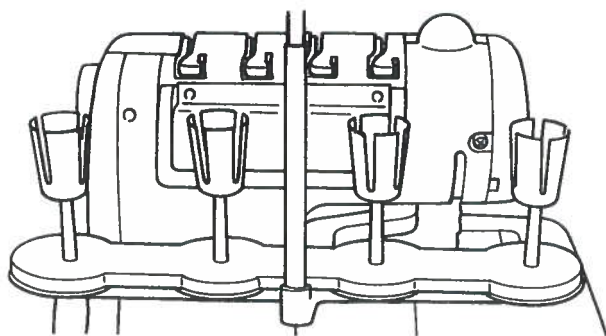
Cones or domestic spools in all sizes can be used on your BERNINA overlocker.



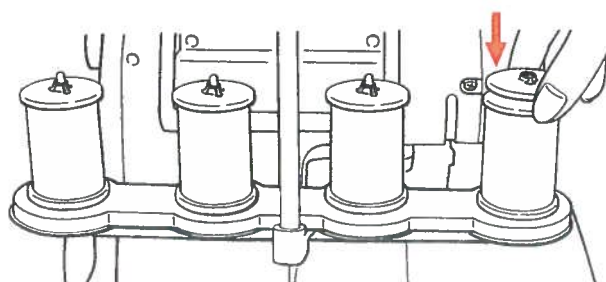
Place the stabilizers on the spool pins when using thread cones.



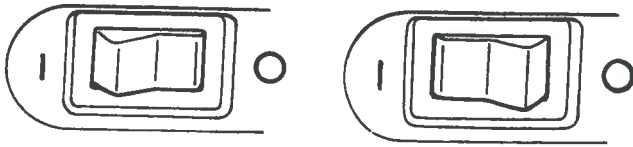
When sewing with large industrial spools, use the stabilizers upside down, i.e. with the wider edge at the top.



Remove the stabilizers for household spools, but secure the spools with the spool holder caps, rounded side upwards.



Power switch



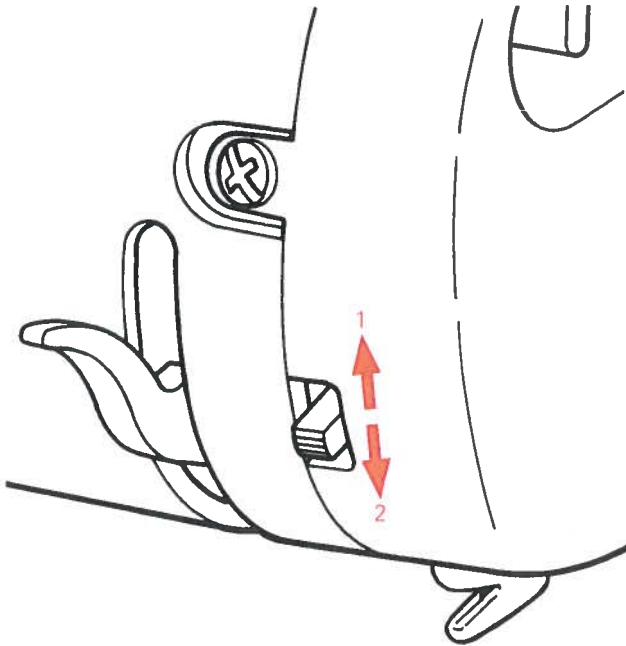
The power switch is on the handwheel side of the machine in front of the machine socket.

O = OFF
I = ON

Light switch

The light switch is positioned on the rear left side of the machine to the left of the presser foot lifter.

1 = ON
2 = OFF



Electronics / Safety / Needle stop

Your BERNINA overlocker is equipped with electronic operating and safety features.

Micro-safety switch:

When the looper cover is opened, the electricity supply to the motor is automatically cut. The machine will not sew but the light remains on for threading etc.

Needle stop:

The Needle stop for overlock stitches (positions A to E) is generally up, i.e. when you stop sewing, the needles will stop in their highest position, the ideal position for threading or changing needles. To lower the needle, press the Needle stop button (3).

The Needle stop for cover and chain stitch (positions F/G) is generally down, i.e. cover and chain stitch formations end with the needle in the fabric.

Safety control lamp:

The machine will not sew if it has not been prepared correctly. When the foot control is depressed, the safety control lamp will light up (4).

The control lamp also lights up when the presser foot is raised or when it is swung out.

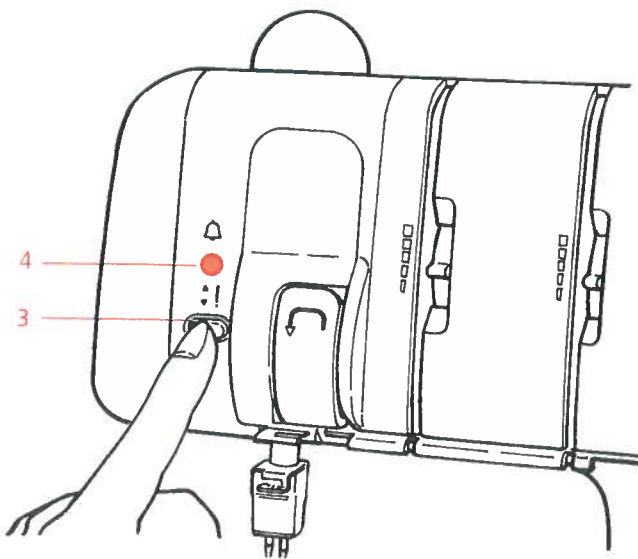
The lamp blinks if the foot control is pressed when the presser foot is not lowered or the looper cover is open.

Safety cut-out:

If overheating should occur, the motor will cut-out for 2 seconds, after which sewing can be continued.

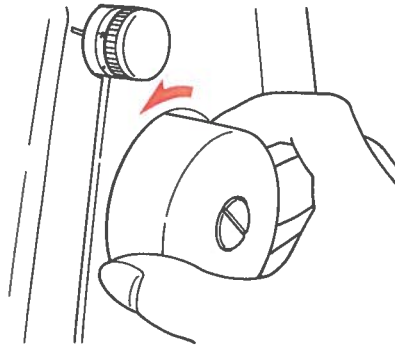
Note:

If you turn the stitch selection dial while sewing, the control lamp will blink and the machine will stop.



Handwheel

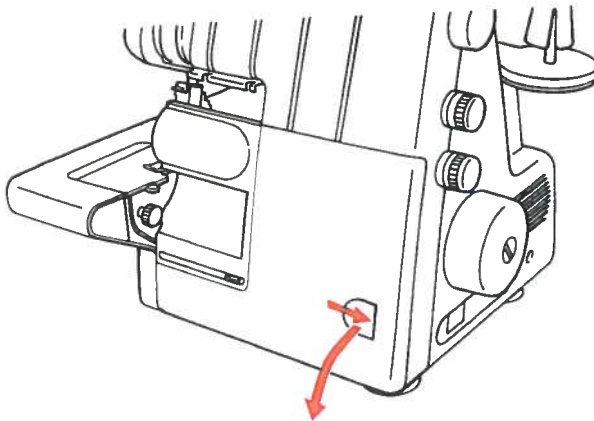
The handwheel turns anti-clockwise as on a household sewing machine.



Looper cover

To open the looper cover, press to the right and tilt the cover towards you.

To close the cover, push it up and press lightly to the left and it will engage automatically.



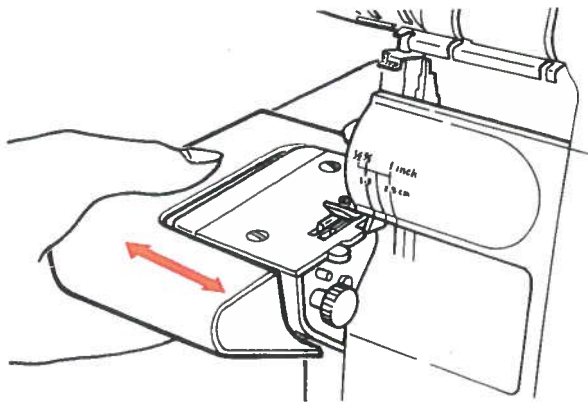
Cloth plate / free-arm

The cloth plate can be removed to expose the free arm.

To remove pull to the left.

To attach press firmly to the right until it engages.

The free arm is ideal for sewing tubular items such as ribbing, trouser and sleeve hems.



Two-step presser foot lifter

The presser foot lifter is positioned on the rear of the machine above the presser foot.

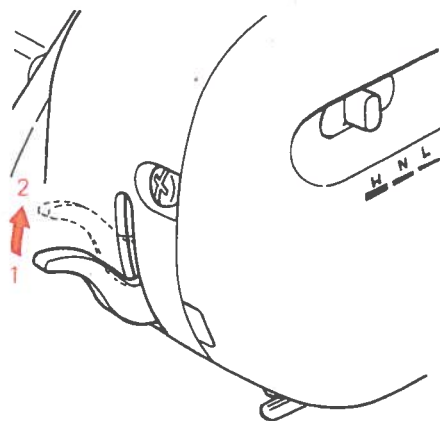
To raise the presser foot lift the presser foot lifter until it engages (1).

It can be raised again to maximum height and held in this position to provide more space between presser foot and stitch plate for bulky items (2).

Press the lifter down to lower the presser foot.

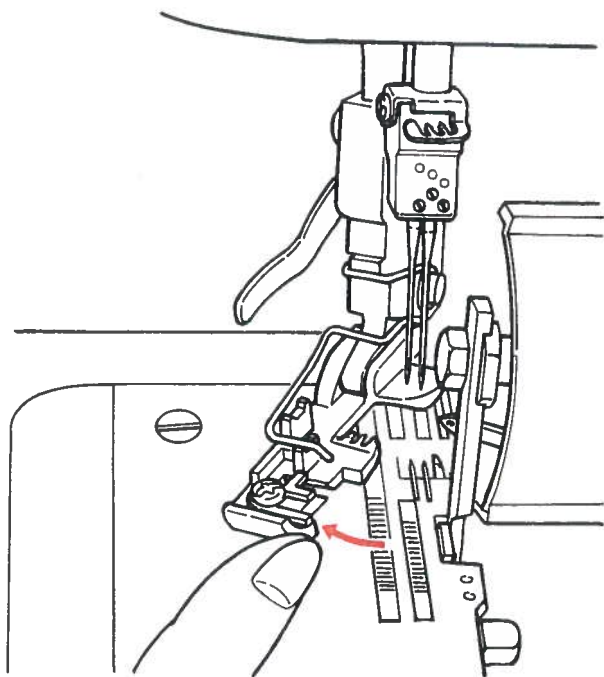
Note:

When the presser foot is raised, all the tension are released making it easier to thread the machine.



Swing-out presser foot

14



The swing-out foot (exclusive to BERNINA) provides easy access for threading needles. It also makes it easier to change the needles and insert band or elastic into the guide on the foot.

To swing out:

- Raise the needles (Needle stop).
- Raise the presser foot and swing it out to the left.

To position for sewing:

- Push the foot from left to right until it engages.
- Lower the presser foot.

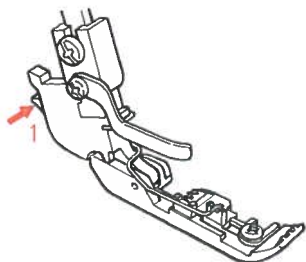
Note:

The machine will not run when the foot is swung-out. An additional safety measure to prevent damage to needles or machines.

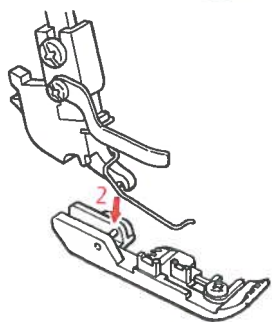
Note:

Cover stitch compensating foot: To prevent damaging the needle points, the cover stitch foot (Accessory) should not be swung out.

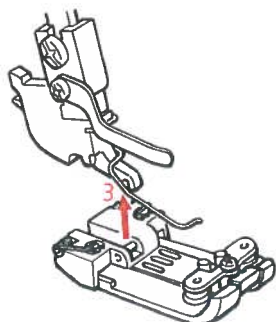
Changing the presser foot



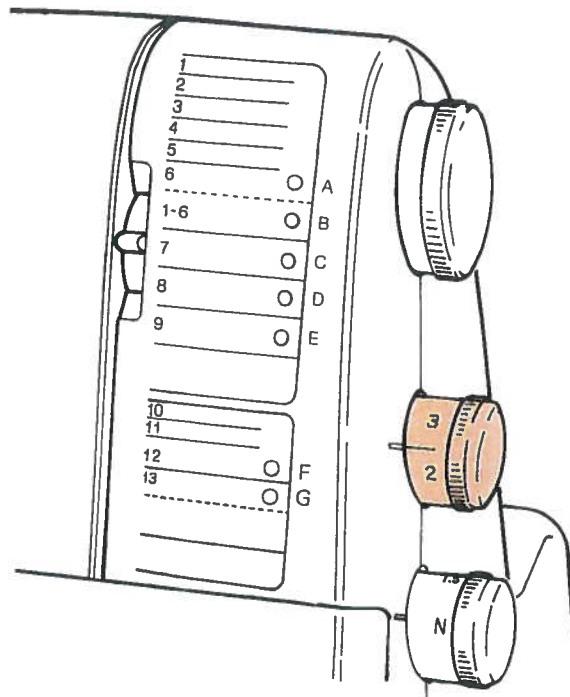
- Raise the needles (Needle stop)
- Raise the presser foot.
- Press the catch (1) to release the presser foot from the clamp (2) and remove to the left.



To attach the foot, place it under the shaft. The groove in the shaft should line up exactly with the presser foot pin (3). Lower the shank and the presser foot engages automatically.



Stitch length

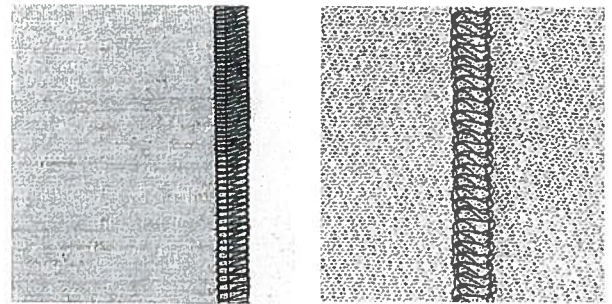


Every stitch equals one complete feed-dog movement. The amount of movement is determined by the selected stitch length.

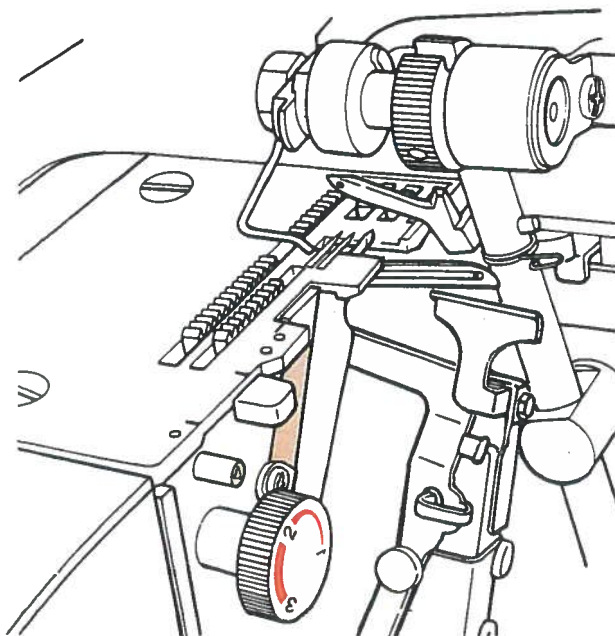
The stitch length is infinitely variable from 1–4 mm and can be adjusted while sewing. Simply turn the stitch length dial in the direction desired.

Most overlock work is done with a basic stitch length setting of 2.5 mm (marking on the dial).

Most cover stitch work is done with a stitch length of between 3 and 4.



Cutting width



Adjusting the cutting width for overlock stitches:

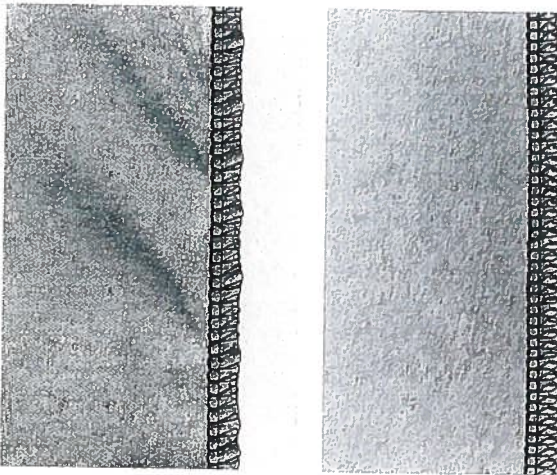
Turn the dial in the direction desired. The upper knife adjusts automatically to the position of the lower knife.

The stitch width of overlock stitches is determined by the cutting width and the needle(s) in use.

Note cover/chain stitch:

Cover and chain stitches are sewn without knives. The upper knife and upper knife arm are fully raised when the machine is in cover/chain stitch mode.

Position of knife:	1	2	3
Needle C:	3 mm	4 mm	5 mm
Needle L:	5 mm	6 mm	7 mm



Cutting width

Narrower cutting width:

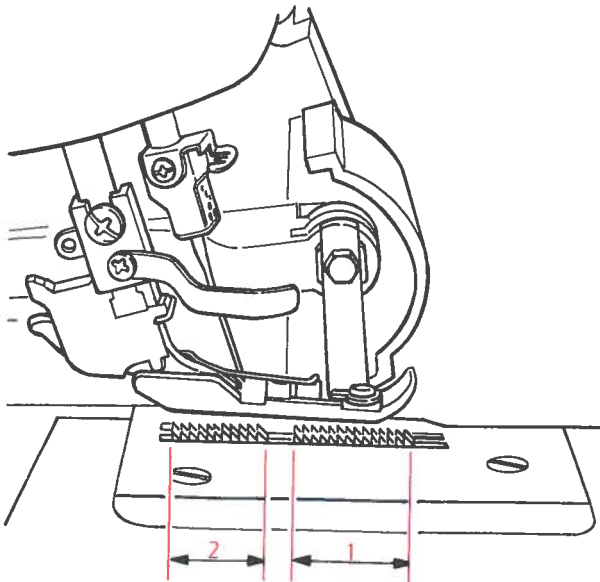
If the edges of fine fabrics curl when being sewn, reduce the cutting width by turning the dial to a lower number.

Wider cutting width:

If the loops formed on the fabric edge are too loose, increase the cutting width by turning the dial to a higher number.

Differential feed

Your BERNINA overlocker is equipped with a front (1) and a rear (2) feed-dog. The two feed dogs move independently and the distance each feed-dog travels can be adjusted independently.



Gathering effect

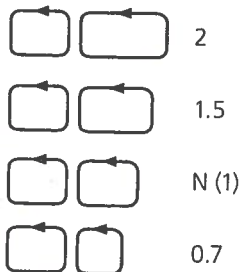
This is the most common use for differential feed and is to prevent waviness or fluting in knits or puckers in fine woven fabrics.

The distance travelled by the front feed dog is greater than that of the rear feed dog. The front feed dog (e.g. 1.5 and 2). The front feed dog pushes the amount of fabric which the rear feed dog can take up unstretched (knit) or unpuckered (fine wovens) behind the needle.

Stretching effect

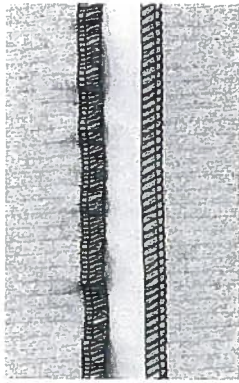
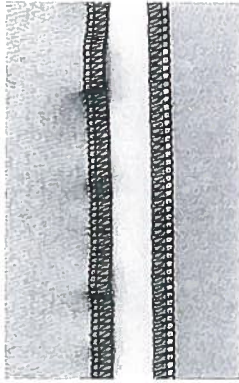
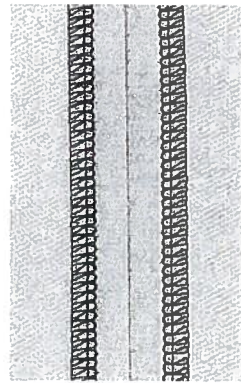
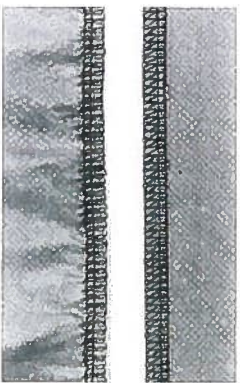

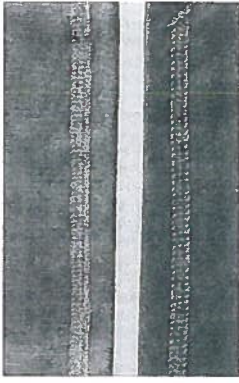

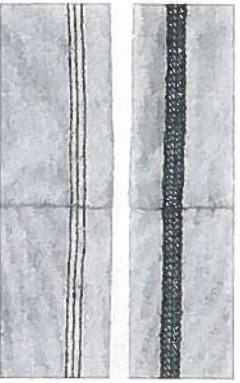
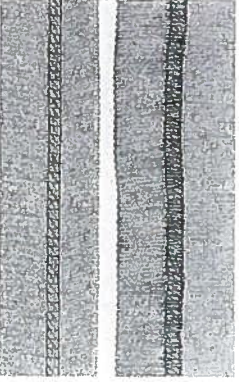
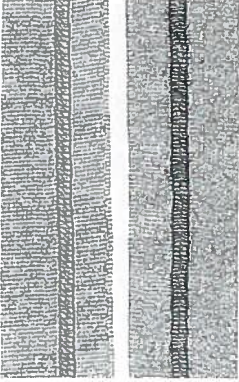
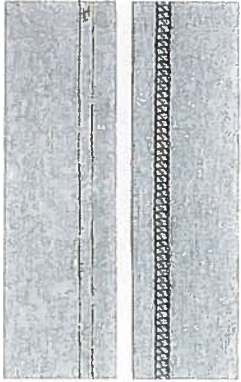
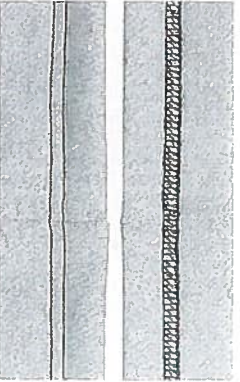
The opposite effect can be produced to prevent fine nylon jerseys or closely woven fabrics from puckering.

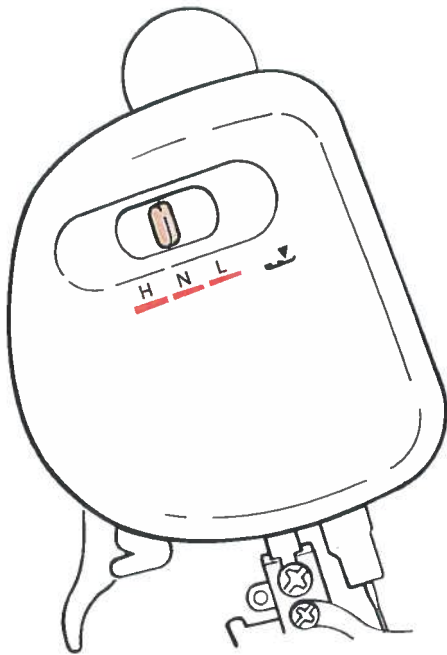
The distance travelled by the rear feed dog is greater than that of the front feed dog. The front feed dog (e.g. 0.7). The front feed dog holds the fabric back so that the rear feed dog can take up the fabric (slightly stretched) behind the needle.



Adjusting the differential feed

Simply turn the dial in the direction desired for fully variable adjustments while sewing. Test sew.

Setting	2	1.5	N	0.7
Effect	Gathering effect, flat seams	Gathering effect, flat seams	Normal feed	Stretching effect, pucker free seams
Overlock	Thick or loose knits, hand- knits	Fine to medium weight knits, e.g. sweatshirt, velours, interlock	Woven fabrics	Nylon jerseys, closely woven fabrics e.g. Charmeuse, linings, satin, poplin.
				
4 thread cover stitch	Thick or loose knits, hand-knits	Fine to medium weight knits	Knits with the grain	Sewing over seams
				
3 thread cover stitch	Thick or loose knits, hand-knits	Fine to medium weight knits	Knits with the grain	sewing over seams
				



Presser foot pressure

The presser foot pressure ensures perfect fabric feed. It is factory adjusted to a medium setting.

Adjusting the pressure:

Push the lever in the direction desired.

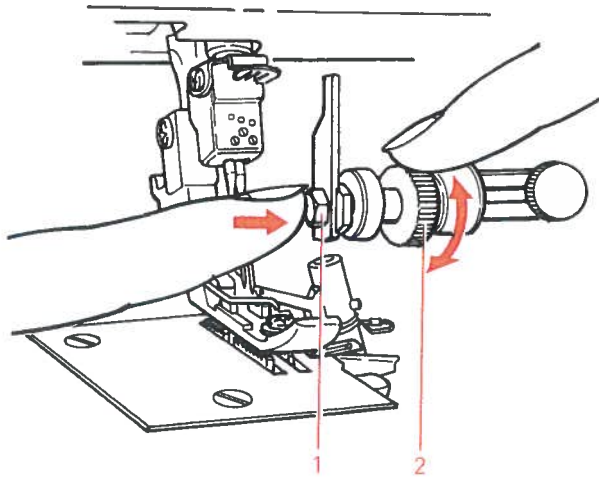
N Normal pressure: Basic setting for most normal overlock work.

H High pressure: For thick or stiff fabrics such as denim, tweed, linen and for sewing on elastic.

L Low pressure: For light-weight or sheer fabrics such as chiffon, georgette, batiste, linings.

Note:

Seams in knitted fabrics will wave if the presser foot pressure is too high. Always set to «N» when sewing knits.

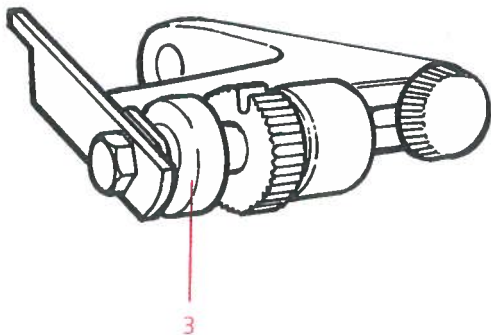


Upper knife

- Raise the needles (Needle stop).
- Open the looper cover.

To raise the knife press the upper knife holder (1) to the right. Turn the knob (2) clockwise until the knife locks (3).

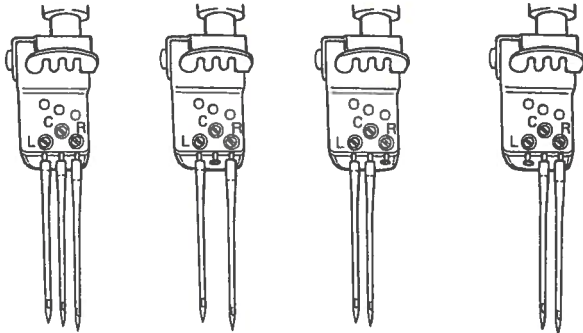
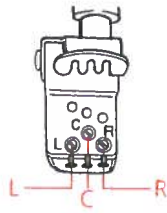
To lower, press the holder to the right and turn the dial (2) anti-clockwise until it engages. The knife engages in the cutting position.



Needle clamp

BERNINA 2500DCE needle clamp

There are three needle positions (L, C, R) each with its own fixation screw.



Needle positions

Needles are inserted into positions L, C or R depending on the stitch selected, which produces different stitch widths.

Note:

The third needle position (R) is for cover and chain stitch applications only!

Needle L and C
or Needle L
5–7 mm overlock

Needle C
3–5 mm overlock
2–3 mm roll hem

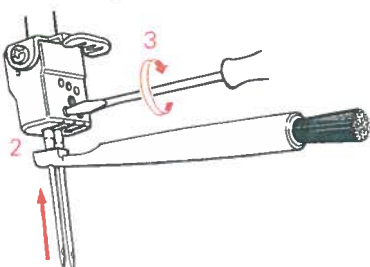
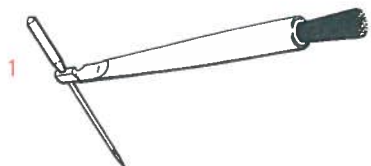
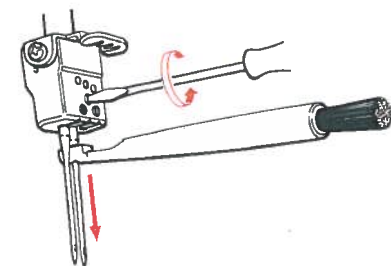
Needles L, C, R
or needle L and R
5 mm cover stitch

Needles L and C
Needles C and R
2.5 mm cover stitch left or right of centre

Needle R
Chain stitch

Note:

Remove the non-threaded needle(s) and the thread.



Inserting needles

Needles can be inserted quickly and easily with the practical needle inserter.

To remove:

- Raise the needles (Needle stop).
- Raise the presser foot and swing out or remove.

Loosen the fixation screw and remove the needle using the inserter. Place the replacement needle, flat sides towards the back, into the hole of the needle inserter (1) and insert the needle in the appropriate hole as far as possible into the needle clamp (2). Tighten the needle setscrew firmly (3).

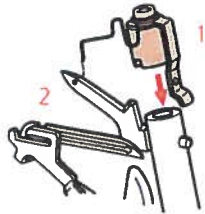
Tip:

Insert the needle C first and then needle L. Needle L is slightly higher than the needle C. Use needle R for cover and chain stitch.

Upper looper converter

Attach the upper looper converter for overlock stitches sewn with one looper, e.g. 2 thread roll hem or 2 thread flatlock.

- Lower the needles (press Needle stop)
- Open the looper cover

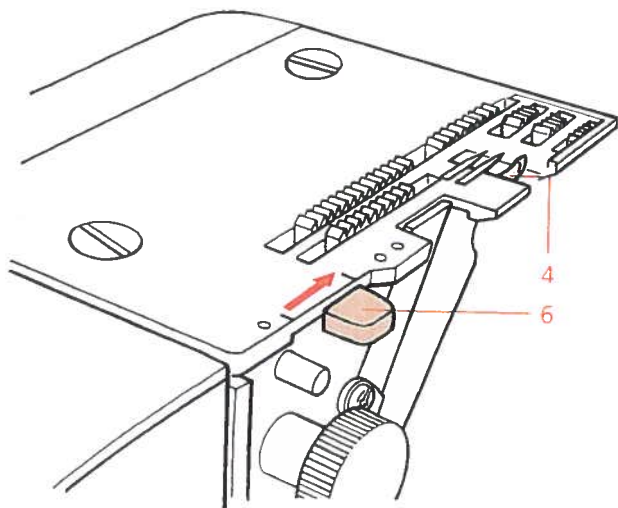


Attach the converter (stored in looper cover) to the upper looper arm (1). Insert the wire hook into the upper looper eye from back to front (2). The upper looper has now been converted, i.e. it no longer carries thread but it diverts the lower looper thread so that loops are formed round the edge of the fabric.

Tip:

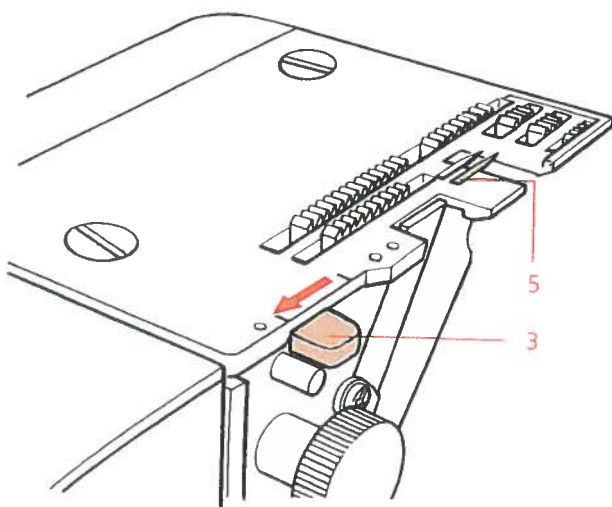
Before starting to sew, check that the upper looper is correctly positioned by first turning the handwheel a few times to form a chain.

Stitch selection lever/roll hem on the stitch plate



The selection lever for roll hem is integrated in the stitch plate. When the selection lever is pulled forward (3), the wide overlock stitch finger (4) is retracted to expose the roll hem pin (5). The fabric edge is rolled round the pin while sewing to produce a fine and decorative edge finish.

For overlock, push the selection lever back away from you (6).



For roll hem, pull the selection lever forwards towards you (3).

Needles and machine



A

Your BERNINA overlocker is equipped with needle system 130/705 H (household needles). However for certain types of sewing, system JLx2 needles can also be used on

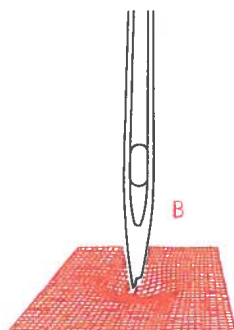
the BERNINA 2500DCE when sewing cover and chain stitch (Positions F and G). It is important to purchase system 130/705H needles for overlocking and

cover stitch or JLx2 needles for cover and chain stitch when replacement needles are required.

Needle and fabric

Needles must be in perfect condition. Problems can occur if needles:

- A are bent
- B are damaged or blunt
- C have hooked points



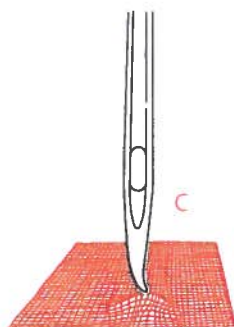
B

Needle and thread

The needle size used depends on the thread. The needle should suit the thread.

When sewing the thread is fed through the long groove in the needle. If the needle is too fine, the thread does not fit into the groove and

stitches will be skipped. Use needles no. 70–90 on your BERNINA overlocker.



C

Thread/decorative threads

Sewing and special overlock threads are manufactured in a wide variety of types, weights and combination fibres. It is worth investing in good quality threads for perfect sewing results.

Decorative threads specially made for overlockers (available on cones) are also becoming widely available. We recommend following the basic guidelines when using special threads on your overlocker:

- Purchase threads on cones or spools which are produced exclusively for overlocking.
- When using normal spools, use the spool caps (in accessory bag).
- Only use decorative threads in the loopers. The thread must move easily and without resistance through the thread guides and looper eyes.
- The thicker the thread, the longer the stitch length (3–4).

- The thicker the thread, the looser the tensions
- Sew slowly when using decorative threads. Pull the thread chain gently to the rear when starting to sew.
- Always test sew decorative threads before starting to sew your work.
- Use the deco-guide when sewing thick or decorative threads (see page 34.)

Thread, needle, application table

Thread	Needles	Where	Application
All purpose overlock thread 120/2 (polyester)	70–90	Needle and loopers	For all overlock work
Spun polyester		Loopers only	Neatening edges
Woolly nylon		Loopers only	Soft seams in knits, rolled hems
Polyester sewing thread	80–90	Needles and loopers	Seams in all fabrics
Embroidery/darning thread	70–80	Needles and loopers	Neatening edges, rolled hems

BERNINA 2500 stitches

The 2500DCE sews 13 different basic stitches.

Overlock stitches are basically formed with two looper threads.

Examples:

- 4 thread overlock with integrated safety seam
- 3 thread overlock/flatlock/roll hem/narrow seam

A further selection of stitches can be sewn with one looper using the upper looper converter.

Examples:

- 3 thread super stretch
- 2 thread overlock/flatlock/roll hem

1 || • ● ● ▲

2 || • ◻ ● ▲

3 !i • ● ● ▲

4 !i • ◻ ● ▲

5 •i • ● ● ▽

6 •i • ◻ ● ▽ ○ A

1-6 DECO ○ B

7 •i • ● ● ▽ ○ C

8 !i • ● ● ▲ ○ D

9 !i • ◻ ● ▲ ○ E

10 ||| ● ▲

11 |•| ● ▲

12 !i ● ▲ ○ F

13 ••| ● ▲ ○ G

COVER ◻ ▲

CHAIN ◻ ▲

The BERNINA 2500DCE can be converted to cover and chain stitch. The cover stitch is 2.5/5 mm wide and is sewn with two or three needles and the lower looper (the upper looper is released and the upper knife and knife arm are raised).

Chain stitch is sewn with one needle and the lower looper (the upper looper is released and the upper knife and knife arm are raised).

Important!

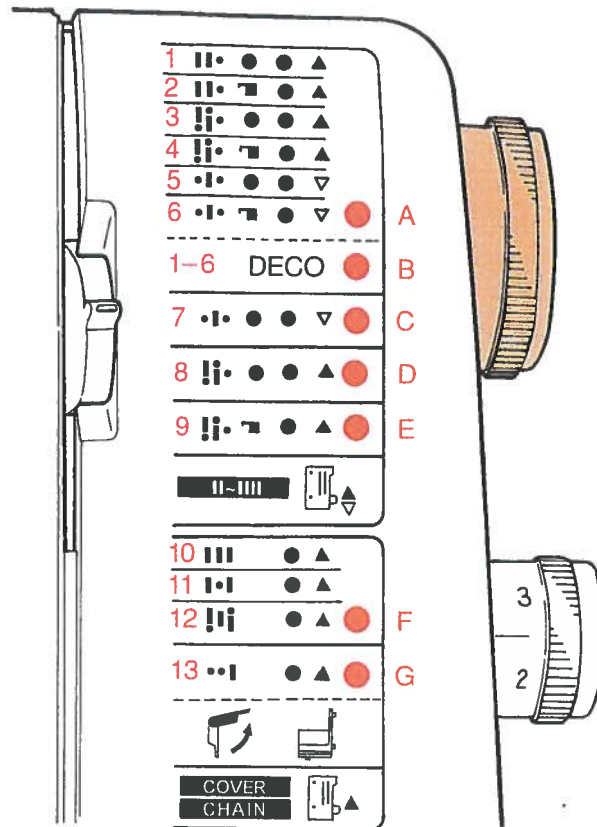
Remove needles which are not in use and the corresponding threads.

Stitch display/stitch selection dial

The BERNINA 2500DCE is equipped with a unique stitch selection function. The basic tension settings for fourteen (thirteen) different stitches are distributed over seven (six) positions. The position desired can be selected by simply turning the stitch selection dial. An LED display indicates the selected position.

The positions A, C, D and E are adjusted for overlock stitches using standard overlock thread.

The stitches on Position B are the same as position A but with pre-set tensions for woolly nylon or a similar decorative thread in the loopers. Position F are pre-set for cover stitch and G for chain stitch using all-purpose overlock thread.



Stitch display

The stitch display provides all the information you need about stitches and threading.

Symbols:

Yellow line = insert needle **L** and thread

Green line = insert needle **C** and thread

Brown line = insert needle **R** and thread

Blue dot = thread the upper looper through the blue guides

Red dot = thread the lower looper through the red guides

Purple dot = thread the lower looper through the purple guides

Small black dot = do not thread needle, remove needle

■ Attach the upper looper converter (upper looper is not threaded)










▲ Move stitch selection lever to overlock

▼ Move stitch selection lever to roll hem

— Raise the upper knife and upper knife arm

Attach the cover stitch extension plate

No.	Stitch	Symbols	Stitch width	Pos.	Thread	Basic settings
1	4 thread overlock with integrated safety seam		5-7 mm needles C and L	A	Loopers and needles: all-purpose overlock thread, polyester thread	Stitch length: 2.5 Cutting width: 2 Differential: N - 2 (knits), N - 0.7 (wovens)
				B	Loopers: woolly nylon Needles: all-purpose overlock thread, polyester thread	
2	3 thread super stretch		5-7 mm needles C and L	A	Lower looper and needles: all-purpose overlock thread, polyester thread	Stitch length: 2.5 Cutting width: 1-2 Differential: N
				B	Lower looper: woolly nylon Needles: all-purpose overlock thread, polyester thread	
3	3 thread overlock		3-5 mm needle C 5-7 mm needle L	A	Loopers and needle: all-purpose overlock thread, polyester thread, embroidery or darning thread	Stitch length: 2.5 Cutting width: 2 Differential: N-1.5 (knits), 0.7-N (wovens)
				B	Loopers: woolly nylon or similar decorative thread Needle: all-purpose overlock thread, polyester thread	
4	2 thread wrapped overlock		3-5 mm needle C 5-7 mm 5-7 mm needle L	A	Lower looper: woolly nylon all-purpose overlock thread, polyester thread, embroidery and darning thread	Stitch length: 2.5 Cutting width: 2 Differential: N-1.5 (knits), 0.7-N (wovens)
				B	Lower looper: woolly nylon or similar decorative thread Needle: all-purpose overlock thread, polyester thread	
5	3 thread narrow seam		3-5 mm needle C	A	Loopers/needle: all-purpose overlock thread, polyester and rayon threads	Stitch length: 1.0-1.8 Cutting width: 1-2 Differential: 0.7-N
				B	Loopers: woolly nylon Needle: all-purpose overlock thread, polyester thread	
6	2 thread roll hem		1-3 mm needle C	A	Lower looper/needle: all-purpose overlock thread, embroidery or darning thread, rayon thread	Stitch length: 1.0-1.8 Cutting width: 1-2 Differential: 0.7-N
				B	Loopers: woolly nylon Needle: all-purpose overlock thread	
7	3 thread roll hem		1-3 mm needle C	C	Upper looper: all-purpose overlock thread, woolly nylon, embroidery, darning or rayon thread Lower looper: all-purpose overlock thread, embroidery, darning or rayon thread Needle: all-purpose overlock thread, embroidery or darning thread, rayon thread	Stitch length: 1.0-1.8 Cutting width: 1-2 Differential: 0.7-N
				D	Upper looper: all-purpose overlock thread, polyester thread, woolly nylon or similar decorative or rayon thread Lower looper, needle: all-purpose overlock thread, polyester thread	
8	3 thread flatlock		3-5 mm needle C 5-7 mm needle L	D	Upper looper: all-purpose overlock thread, polyester thread, woolly nylon or similar decorative or rayon thread Lower looper, needle: all-purpose overlock thread, polyester thread	Stitch length: min. 2.5 Cutting width: 2 Differential: N
				E	Lower looper: all-purpose overlock thread, polyester thread, woolly nylon or similar decorative or rayon thread Needle: all purpose overlock thread, polyester thread	
9	2 thread flatlock		3-5 mm needle C 5-7 mm needle L	E	Lower looper: all-purpose overlock thread, polyester thread, woolly nylon or similar decorative or rayon thread Needle: all purpose overlock thread, polyester thread	Stitch length: min. 2.5 Cutting width: 2 Differential: N

Applications	Exemples	Stitch
<ul style="list-style-type: none"> ■ Durable stretch seams in jerseys and knits in cotton, wool, synthetic and blended fibres and for machine and hand knits. ■ Ideal for seams in fine to medium weight cotton, viscose, satin or synthetic fibres, e.g. batiste, crepe-de-chine, poplin, satin, etc. 	Sweatshirts, running suits, jersey and knitted garments, children's clothing, light outer wear, home dec.	
<ul style="list-style-type: none"> ■ Very elastic seams in stretchy fabrics such as Lycra. 	Swimwear, gymwear, sportswear	
<ul style="list-style-type: none"> ■ Neatening edges of seam allowances, hems and facings. Suitable for all types of fabric. ■ Stretchy seams in fine knits. ■ Decorative and quickly sewn edges. ■ Decorative seams in woven or fleecy fabrics or firm knits. 	Neatening and sewing seams in clothing and home dec articles. Seams in T-shirts, baby and children's wear and all garments such as coats, jackets pullovers as well as tablecloths, table mats, napkins, cushions and curtains.	
<ul style="list-style-type: none"> ■ Neatening edges on seam allowances, hems and facings. Suitable for all fabrics. ■ Double sided edging. ■ Decorative seams on firm wovens, fleecy fabrics or firm knits. 	Neatening seams in clothing and home dec articles. Decorative finish on clothing such as coats, jackets and pullovers as well as tablecloths, table mats, napkins, cushions and curtains.	
<ul style="list-style-type: none"> ■ Narrow seams in the finest of silks, cotton or synthetic jersey. Particularly suitable for lingerie or lace inserts and fine pintucks. 	Lingerie, underwear, light outerwear, e.g. blouses, summer dresses, children's wear.	
<ul style="list-style-type: none"> ■ Fine edge finish on sheer and lightweight woven fabrics or jerseys. Suitable for pintucks or lace insertion. 	Lingerie, underwear, scarves, handkerchiefs. Light outer wear, evening wear, home dec.	
<ul style="list-style-type: none"> ■ Quickly sewn delicate and fine edging for all fine or sheer fabrics. 	Lingerie, underwear, scarves. Light outerwear, evening wear, home dec	
<ul style="list-style-type: none"> ■ Flat decorative seams in knit or woven fabrics. Suitable for patchwork. 	Home dec: cushions, bedspreads Clothing: jackets, coats, pullovers	
<ul style="list-style-type: none"> ■ Decorative flat seam with slight stretch. Suitable for knits or woven fabrics. Ideal for patchwork. 	Clothing: sportswear, gymwear, swimwear, fleece pullovers, jackets, coats. Home dec: cushions, bed covers etc.	

Threading symbols

The stitch display provides all the information you need about stitches and threading.

Symbols:

Yellow line = insert needle L and thread

Green line = insert needle C and thread

Brown line = insert needle R and thread

Blue dot = thread the upper looper through the blue guides

Red dot = thread the lower looper through the red guides

Purple dot = thread the lower looper through the purple guides

Small black dot = do not thread needle, remove needle

■ Attach the upper looper converter (upper looper is not threaded)

▲ Move stitch selection lever to overlock






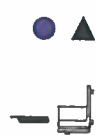


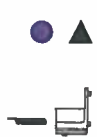



▽ Move stitch selection lever to roll hem

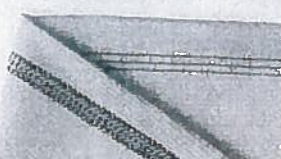
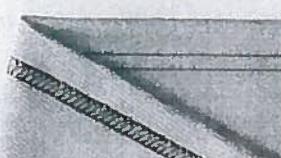


— Raise the upper knife and upper knife arm

☞ Attach the cover stitch extension plate

Note:
The positions A, C, D and E are for overlock stitches using standard overlock thread. The stitches on Position B are the same as position A but with pre-set tensions for woolly nylon or a similar decorative thread in the loopers. Position F is for cover stitch and G is for chain stitch. The machine must be converted (see pages 50, 51).

Stitch Chart

No.	Stitch	Symbols	Stitch Stichbreite	Pos.	Thread	Basic settings
10	4 thread cover stitch 	 	5 mm needles R, C and L	F	Lower looper: all-purpose overlock thread, polyester thread, woolly nylon or similar decorative thread Needles: all-purpose overlock thread, polyester thread	Stitch length: 3 Differential: N
11	3 thread cover stitch 	 	5mm needles R and L	F	Lower looper: all-purpose overlock thread, polyester thread, woolly nylon or similar decorative thread Needles: all-purpose overlock thread, polyester thread	Stitch length: 3 Differential: N
12	3 thread narrow cover stitch 	 	2.5 mm needles C and L or C and R	F	Lower looper: all-purpose overlock thread, polyester thread, woolly nylon or similar decorative thread Needles: all-purpose overlock thread, polyester thread	Stitch length: 3 Differential: N
13	Chain stitch 	 	Needle R	G	Lower looper: all-purpose overlock thread, polyester thread, woolly nylon or similar decorative thread Needle: all-purpose overlock thread, polyester thread	Stitch length: 2.5 Differential: N

Applications	Examples	Stitch
<ul style="list-style-type: none"> ■ The perfect flat hem for all stretch fabrics. ■ Ideal for sewing and finishing with elastic or for binding edges in stretch fabrics. ■ Decorative topstitch seams which can also be sewn with decorative thread (wrong side of stitch visible). 	<p>T-shirts, swim and gymwear, garments made from knit and jerseys, underwear, lingerie, children's clothing, pullovers, sweatshirts.</p>	
<ul style="list-style-type: none"> ■ The perfect flat hem for all stretch fabrics. ■ Ideal for sewing and finishing with elastic or for binding edges in stretch fabrics. ■ Decorative topstitch seams which can also be sewn with decorative thread (wrong side of stitch visible). 	<p>T-shirts, swim and gymwear, garments made from knit and jerseys, underwear, lingerie, children's clothing, pullovers, sweatshirts.</p>	
<ul style="list-style-type: none"> ■ The perfect flat hem for all stretch fabrics. ■ Ideal for sewing and finishing with elastic or for binding edges in stretch fabrics. ■ Decorative topstitch seams which can also be sewn with decorative thread (wrong side of stitch visible). 	<p>T-shirts, swim and gymwear, garments made from knit and jerseys, underwear, lingerie, children's clothing, pullovers, sweatshirts.</p>	
<ul style="list-style-type: none"> ■ Chain stitch has limited elasticity and is ideal for firm, thicker fabrics. ■ Use to stabilize seams and for binding. ■ Ideal as decorative top stitching. 	<p>Thick or heavy-weight woven fabrics and knits with limited stretch. Denim, corduroy, polar fleece. Sweaters, thick knits, towelling, children's clothing, home dec, patchwork.</p>	

General threading instructions

Thread the machine in the following sequence.

Overlock stitches:

1. Upper looper (blue markings)
2. Lower looper (red markings)
3. Needle C (green markings)
4. Needle L (yellow markings)

Tip:

When threading for the first time, use coloured threads to match the threading codes, i.e. blue, red, green and yellow for 4-thread overlock, so that when you test sew, you can see exactly how the stitch is formed.

Cover stitch:

1. Lower looper (purple markings)
2. Needle R (brown markings)
3. Needle C (green markings)
4. Needle L (yellow markings)

Tip:

When threading for the first time, use the same coloured threads as the markings, i.e. purple, brown, green and yellow) for 4 thread cover stitch, so that you can see exactly how it is formed.

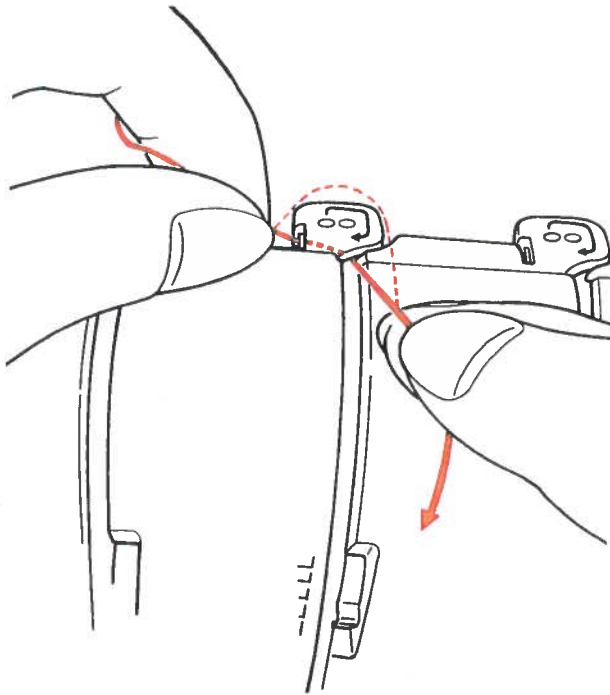
Chain stitch:

1. Lower looper (purple markings)
2. Needle R (brown markings)

Your BERNINA overlocker is equipped with practical threading aids:

- Stitch display with threading information
- Coloured threading diagram inside the looper cover
- Colour coded threading paths
- Lay-in thread guides
- Threading accessories in the looper cover

28



Preparation

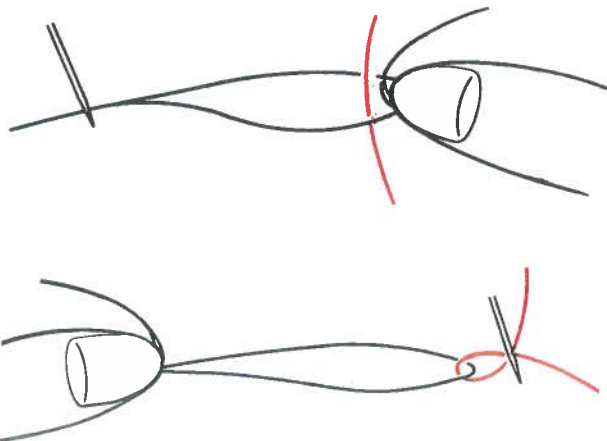
- Raise the support rod fully
- Raise the needles (Needle stop)
- Raise the presser foot. The tensions release automatically.
- Swing foot out.
- Open the looper cover.
- Raise the upper knife (if wanted)

First thread guide on the machine

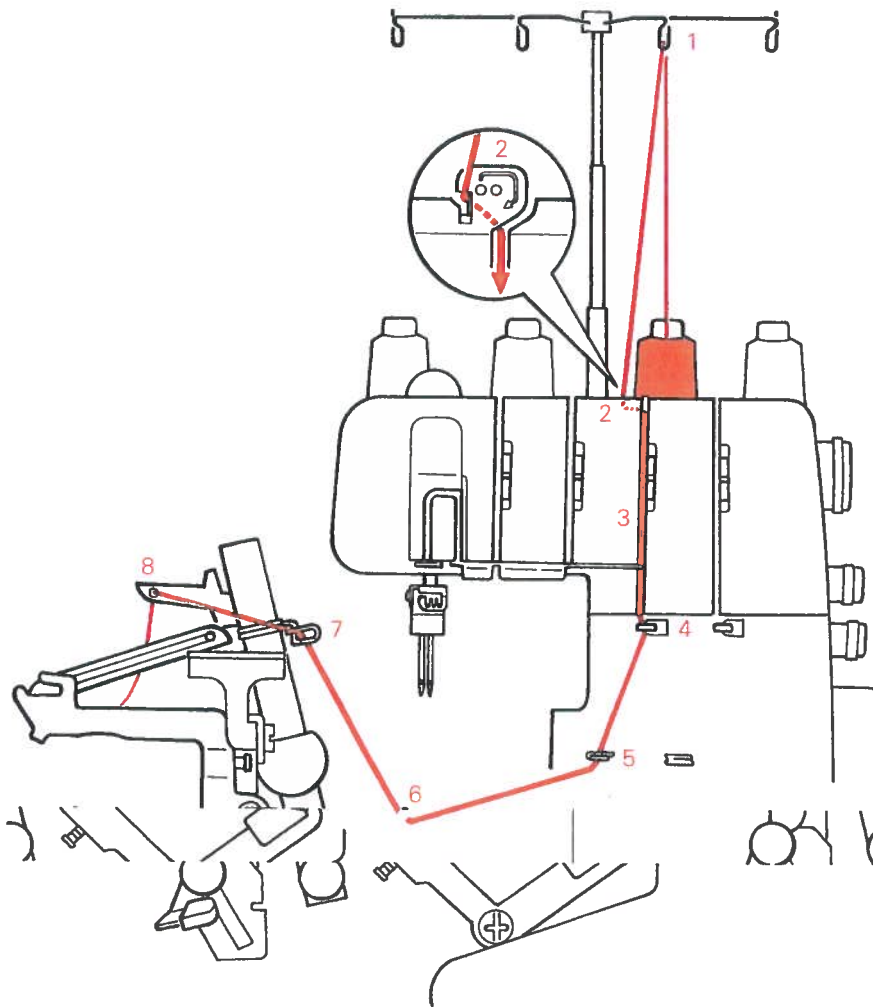
Thread the first guides on the top of the machine as follows: Holding the thread with both hands slip it into the appropriate guide from back left to front right in the direction of the arrow and pull gently to check that it is lying correctly.

Needle/looper threader

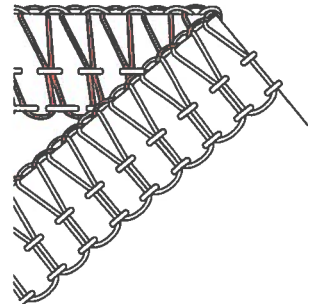
Insert the thread into the threader. Push the rigid end of the threader through the needle or looper eye and pull it completely through.



Upper looper (blue)



Place the spool on the spool pin as illustrated.

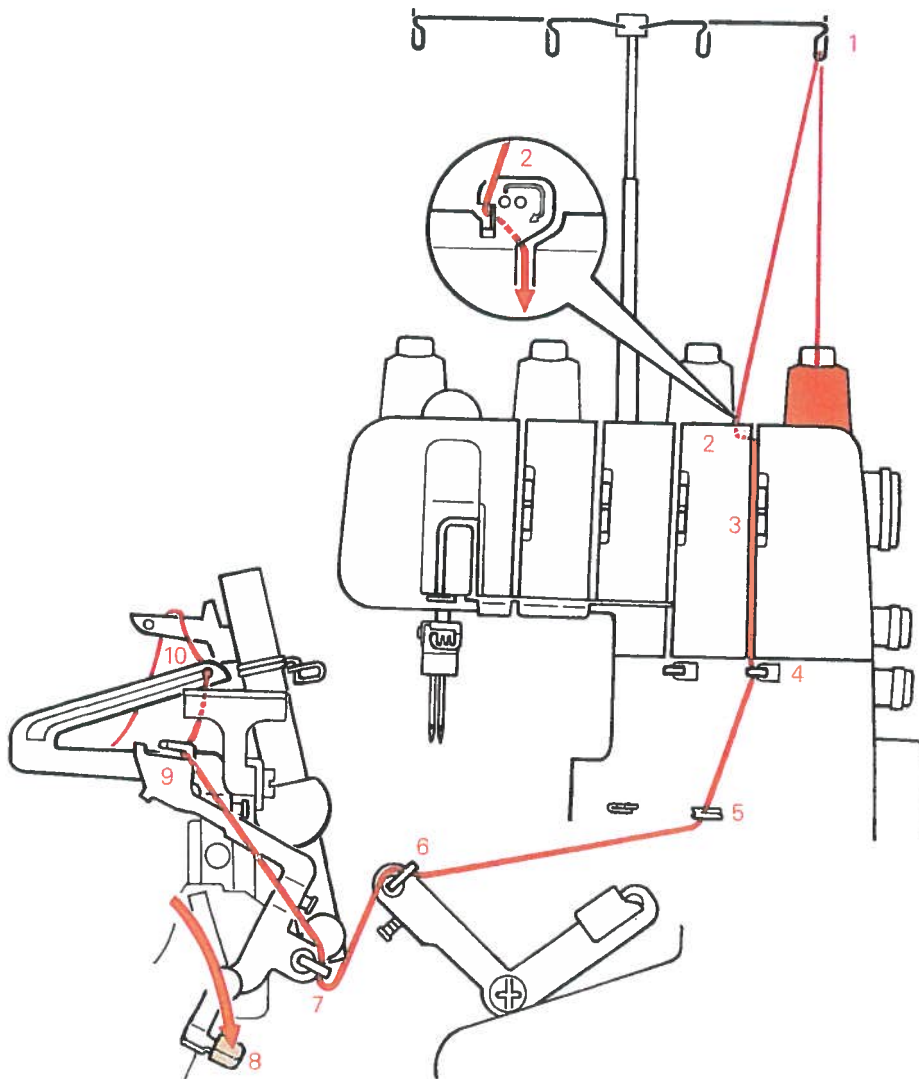


1. Bring the thread up from the spool and through the guide from the back.
2. Thread the first machine guide.
3. Slip the thread through the groove.
- 4., 5., 6., 7. Thread the guides.
8. Thread the looper eye and lay the thread to the left under the presser foot.

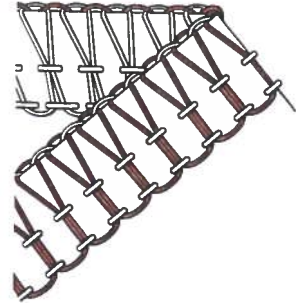
Note:
Do not thread the upper looper when using the upper looper converter. (See page 20 for attaching the converter.)

Important!
When re-threading the upper looper after sewing with the converter, make sure that the thread goes through the guides 6 and 7 behind the lower looper thread. The looper threads must not cross.

Lower looper (red)



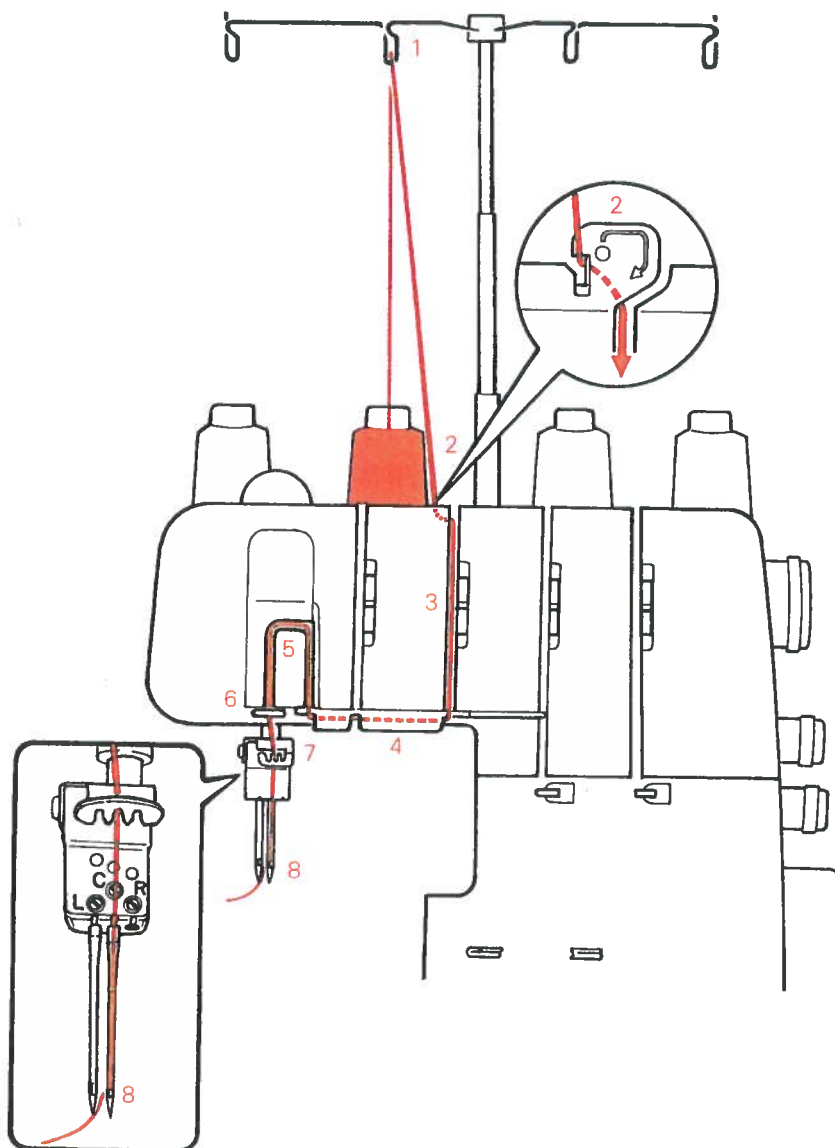
Place the spool on the spool pin as illustrated.



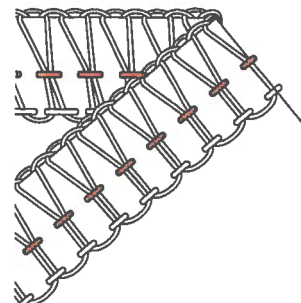
1. Bring the thread up from spool and through the guide from back to front.
2. Thread the first machine guide.
3. Slip the thread through the groove.
- 4., 5., 6., 7. Thread the guides.
8. Press the lever on the auto-threader down.
9. Thread the guide and then the slit on the threader. Push the auto-threader lever up to return it to its normal position.
10. Thread the lower looper eye and lay the thread to the left under the presser foot.

Note:
If the lower looper has to be re-threaded, cut off both needle threads and remove surplus thread from below. First thread the looper and then rethread the needles.

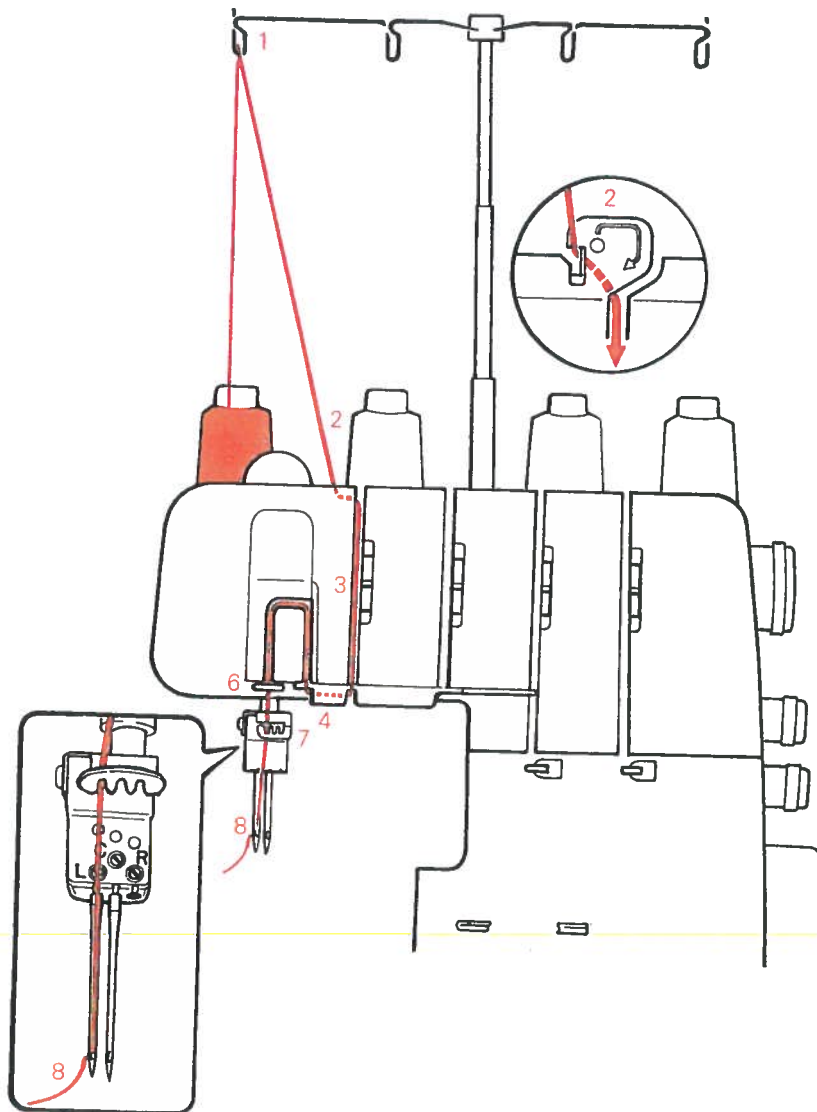
Needle C (green)



Place the spool on the spool pin as illustrated.

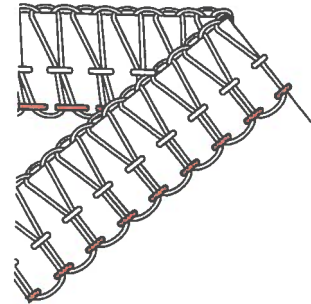


1. Bring the thread up from spool and through the guide from back to front.
2. Thread the first machine guide.
3. Slip the thread through the groove.
- 4., 5., 6. Take the thread under the thread guide plate and through the take-up.
7. Thread the guide on the needle clamp.
8. Thread needle C from front to back and lay the thread to the left under the foot.



Needle L (yellow)

Place the spool on the spool pin as illustrated.



1. Bring the thread up from the spool and through the guide from back to front.
2. Thread the first thread guide.
3. Slip the thread through the groove.
- 4., 5., 6. Take the thread under the thread guide plate and through the take-up.
7. Thread guide on the needle clamp.
8. Thread needle L from front to back and lay the thread to the left under the foot.

After threading

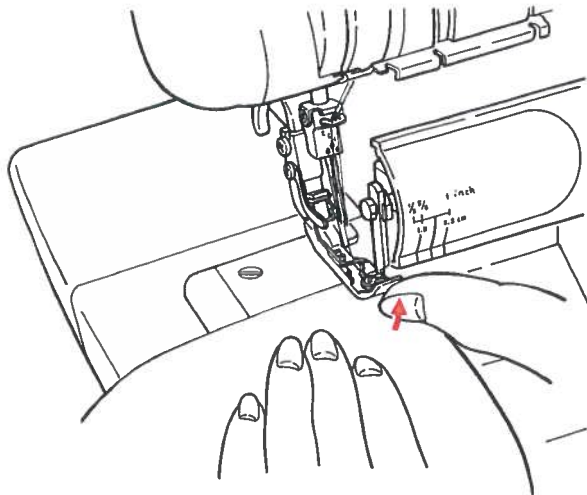
When threading is complete, lower upper knife (if raised), close the looper cover (place waste collector in position).

Re-threading or changing threads

If spools are empty or you want to change the thread, it is not necessary to rethread the machine. Simply cut off the threads above the cones or spools, replace them and knot new

thread on to the existing thread. Cut the threads off at the needles. Raise the presser foot, pull the threads through and rethread the needles. Pull the looper threads through using the

existing thread chain. Some thick decorative threads cannot be pulled through the looper eyes. Lower the presser foot. Select the stitch of your choice and test sew.



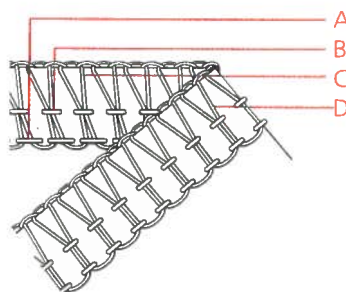
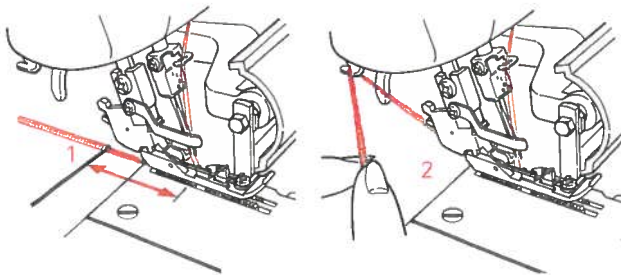
After threading select the stitch of your choice (stitch selection dial) and test sew.

Seam begin, seam end, thread cutter

Raise the tip of the presser foot with your thumb and position the fabric just under the foot. Let go of the foot and start to sew. The fabric will be taken up automatically.

At the end of the seam, continue sewing a 5–6 cm (2–2½") long thread chain (1).

Holding the fabric in your left hand, pull the thread chain over the thread cutter (2).



Fine tuning

Compare your sewing test with the stitch formations on the waste collector or diagram inside the looper cover.

Example: 4 thread overlock

- A Needle L thread (yellow)
- B Needle C thread (green)
- C Upper looper thread (blue)
- D Lower looper thread (red)

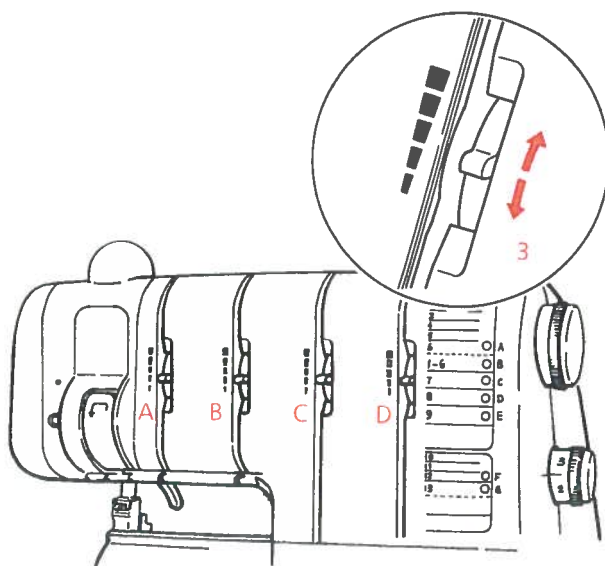
The upper looper thread lies on the upper side of the fabric and the lower looper thread lies on the underside of the fabric. The loops formed by both threads meet exactly on the edge of the fabric.

Needle C thread forms a stretchy safety seam in the centre of the stitch. Needle L thread anchors both looper threads.

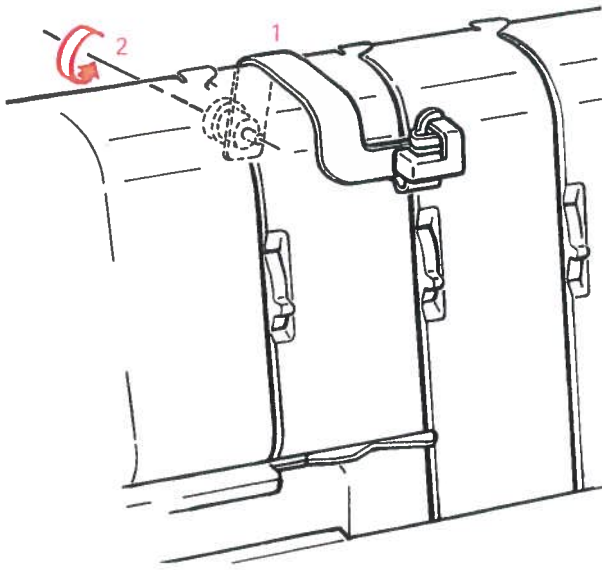
Stitch formations which are not perfect can be corrected with fine tuning (3).

To increase the tension, move the fine tuning lever up. To reduce the tension, move the lever down.

- A Needle L fine tuning (yellow)
- B Needle C fine tuning (green)
- C Upper looper fine tuning (blue)
- D Lower looper fine tuning (red)



Deco guide



The deco guide (in the accessory bag) is specially designed for sewing wide seams and edges with decorative threads (see section Threads/Decorative thread page 21).

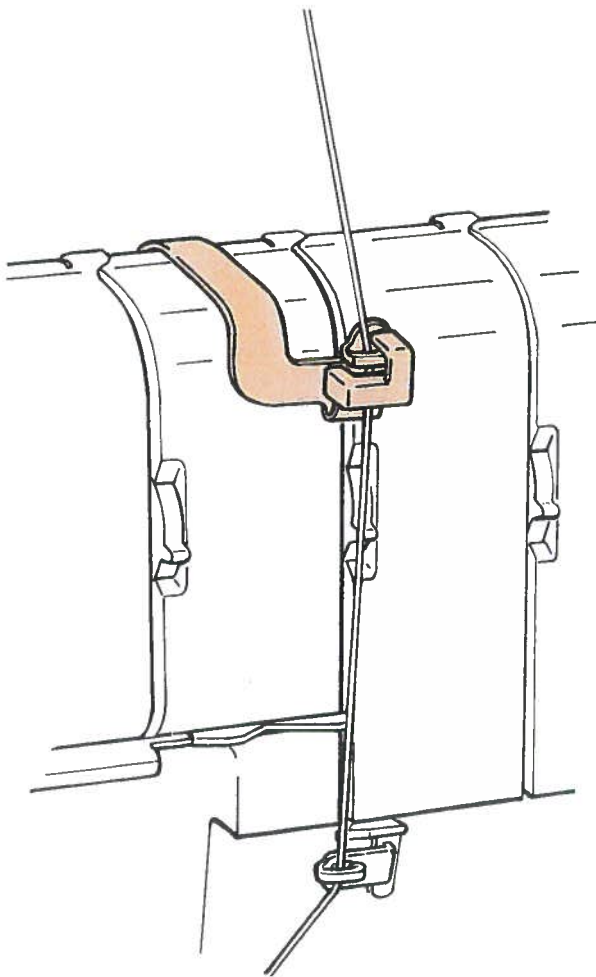
Position the guide over the top of the machine over one of the thread slits (1) and tighten screw (2).

Take the thread through the deco guide without threading the first machine guide or tension slit.

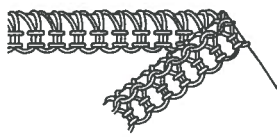
3/4 thread overlock with medium to heavy weight thread: position the guide over the upper looper tension.

2 thread overlock with heavy thread: position the guide over the lower looper tension.

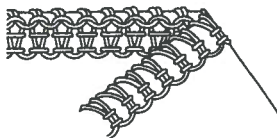
3 thread overlock with fine rayon embroidery thread, e.g. Rayon No. 40: take threads through the deco guide to the needles. Test sew.



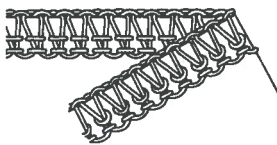
Fine tuning for 3/4 thread overlock and 3 thread narrow seam:



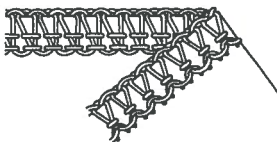
The loops are formed on the underside:
Increase the upper looper tension (blue).
Reduce the lower looper tension (red).



The loops are formed on the upper side:
Increase the lower looper tension (red).
Reduce the upper looper tension (blue).

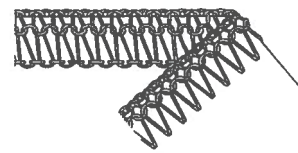


Needle C thread forms loops on the underside:
Increase the needle tension (green).

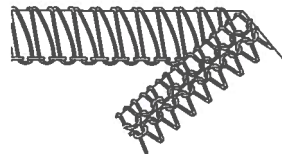


Needle L thread forms loops on the underside:
Increase the needle tension (yellow).
Reduce the lower looper tension (red).

Fine tuning for 3 thread flatlock

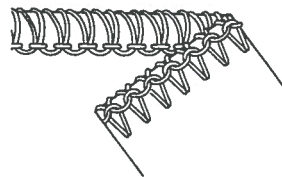


The loops are formed on the upside:
Reduce the upper looper tension (blue).
Increase the needle (yellow or green) or increase the lower looper tension (red).

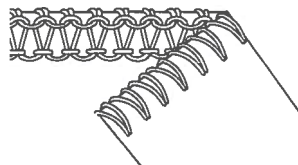


The loops are formed on the underside.
Increase the lower looper (red) or upper looper tension (blue).
Reduce the needle tension (yellow or green). The deco guide could be used.

Fine tuning for 2 thread flatlock

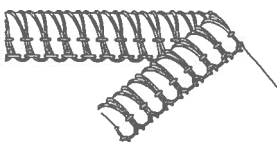


The loops are formed on the underside:
Increase the lower looper tension (red).
Reduce the needle tension (yellow or green). The deco guide could be used.

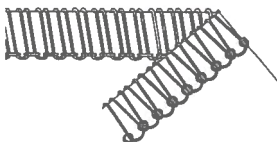


The loops are formed on the upside:
Reduce the lower looper tension (red).
Increase the needle tension (yellow or green).

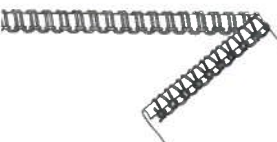
Fine tuning for 3 thread super stretch, 2 thread wrapped overlock and 2 thread roll hem



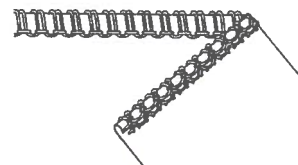
The needle thread forms loops on the underside.
Reduce the lower looper tension (red).



Tip:
The elasticity of the 3 thread super stretch stitch can be increased by reducing the needle tensions or shortening the stitch length, depending on the fabric and application.



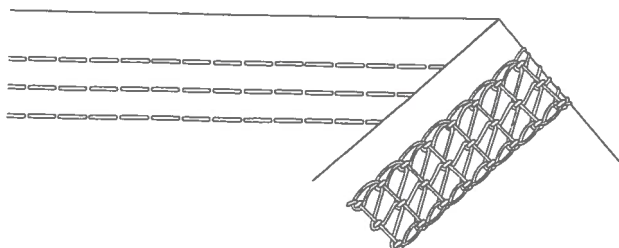
Fine tuning for 3 thread roll hem



The loops do not meet at the line of the needle thread on the underside:
Increase the lower looper (red) or needle thread (green) tension.
Reduce the upper looper thread tension (blue).

Tip:
Use woolly nylon in the upper looper only.

Cover Stitch



The 5 mm wide cover stitch is formed with two needle and one looper threads. The needle threads appear as two parallel lines (5 mm apart) on the right side. The 2.5 mm cover stitch is sewn with one looper thread and two needle threads. The looper thread covers and neatens the seam on the wrong side. The elasticity of cover stitch makes it ideal for all stretch fabrics. The cover stitch is sewn in the fabric and not on the fabric edge, i.e. the fabric is not cut. The upper knife and upper knife arm are raised. The cover stitch gives a truly professional finish to all your home sewing. It is perfect for hems, top stitching, flat joining seams and edging with elastic and bindings.

Stitch selection dial / position F

To select cover stitch turn the stitch selection dial to position F.

The sewing speed on position F is automatically reduced from 1500 s.p.m. to max. 800 s.p.m.

The needle stop is automatically set to down. The cover stitch formation ends with the needle inserted in the fabric.

Note:
When sewing is completed or interrupted, the needles stay in the fabric. This is ideal for positioning your work while sewing. To remove your work, raise the needles by turning the handwheel backwards, i.e. away from you in a clockwise direction.

Chain stitch

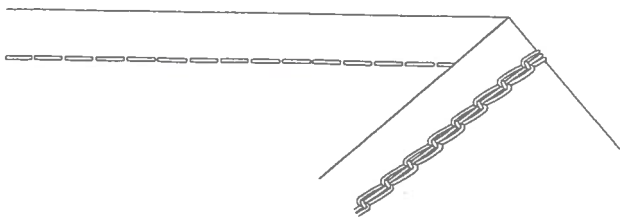
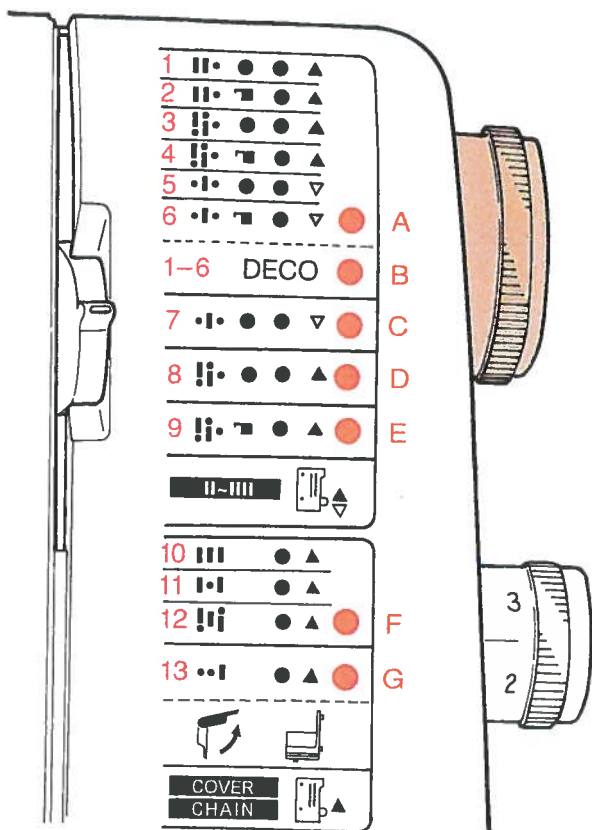
Stitch selection dial / position G

To select chain stitch turn the stitch selection dial to position G.

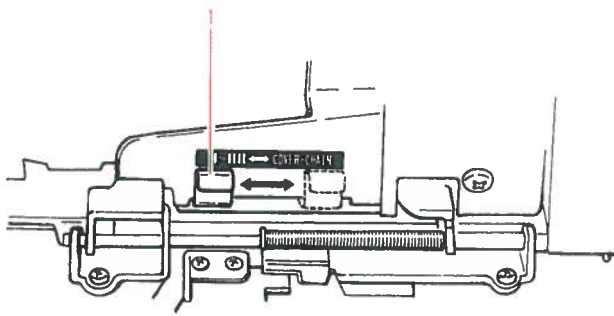
The sewing speed on position G is automatically reduced from 1500 s.p.m. to max. 800 s.p.m.

The needle stop is automatically set to down. The chain stitch formation ends with the needle inserted in the fabric.

Note:
When sewing is completed or interrupted, the needles stay in the fabric. This is ideal for positioning your work while sewing. To remove your work, raise the needles by turning the handwheel backwards, i.e. away from you in a clockwise direction.



Looper converter arm



- Lower the needle clamp, press Needle stop. The loopers are automatically lowered.
- Open the looper cover.
- The looper converter arm can now be moved from overlock to cover/chain stitch or from cover/chain stitch to overlock (1).

When the converter arm is switched from overlock to cover/chain stitch, the upper looper is released and the movement of the lower looper becomes elliptic.

When the converter arm is switched from cover/chain stitch to overlock, the upper looper is reinstated and the lower looper moves left and right. Cover/chain stitch functions and general operating instructions

Mechanical safety

In addition to the electronic safety features (page 12) your machine is equipped with mechanical safety features.

The looper cover can only be closed when:

- the position of the converter arm corresponds to the cover/chain stitch extension plate or the knife guard (overlock)
- the upper knife is in the raised position when the cover/chain stitch extension plate is attached.

Upper knife arm

The knives are not used for cover and chain stitch and the upper knife arm is raised to provide additional space to the right of the needle.

Raising the upper knife arm:

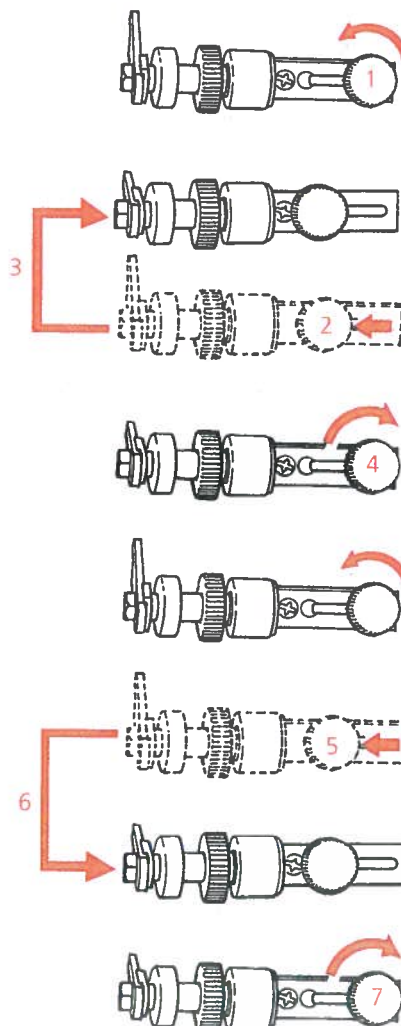
- (looper cover open)
- Raise the upper knife.
- Loosen the screw (1).
- Press the screw to the left (2), push the arm up (3) and the screw engages on the right (4).
- Tighten the screw.

Lowering the upper knife arm:

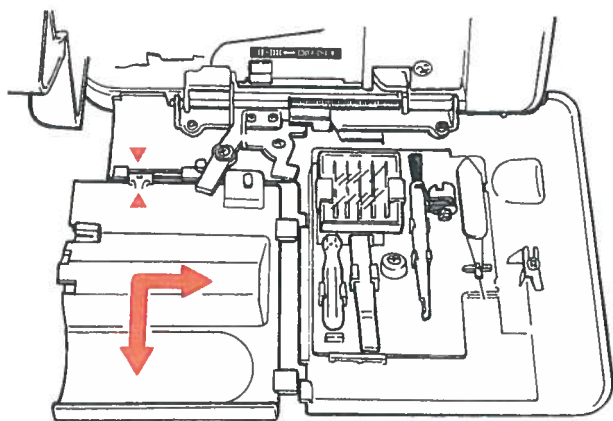
- (looper cover open)
- Loosen the screw and press to the left (5).
- Push the arm down (6) and push the screw to the right (7).
- Tighten the screw.
- Lower the upper knife, making sure it engages. (Close looper cover.)

Note:

See page 18 for raising and lowering the upper knife.



Knife guard/cover and chain stitch extension plate



When the machine is converted to cover/chain stitch, the knife guard in the looper cover is replaced by the cover stitch extension plate. The extension plate covers the released upper looper and extends the stitch plate to the right of the presser foot.

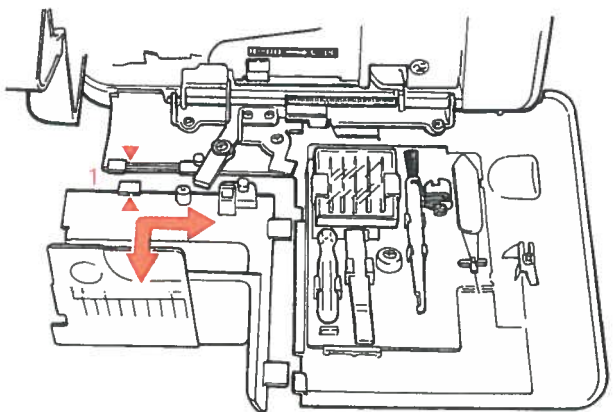
To replace:

Open the looper cover. Remove the knife guard by pulling gently to the left. To attach the extension plate, hold it at a slight angle to the looper cover, position (1), hold both parts parallel and push the plate to the right until it clicks into place.

Note:

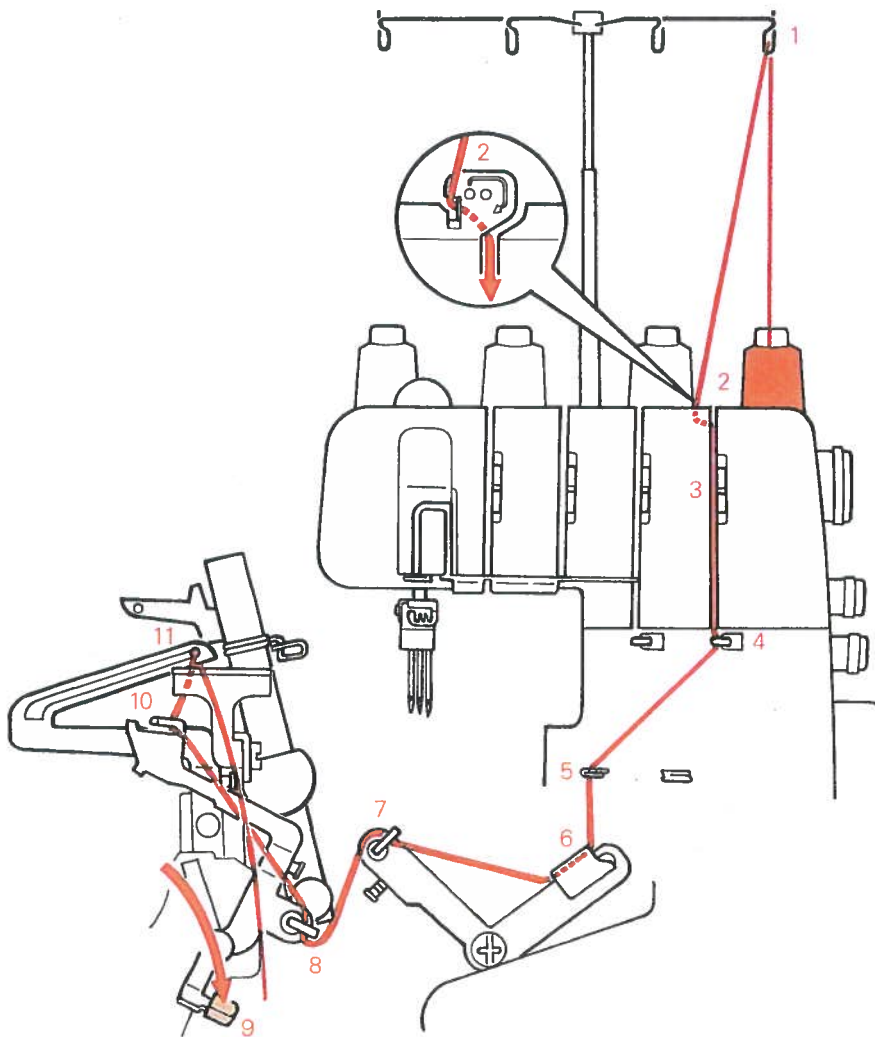
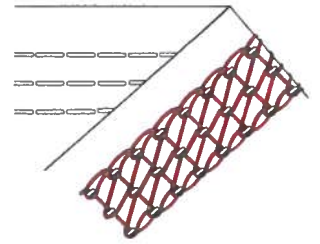
The looper cover will not close and the machine will not sew when:

- the position of the converter arm does not correspond to the extension plate (cover/chain stitch) or knife guard (overlock)
- the upper knife is not in the raised position when the cover stitch extension plate is attached.



Preparation

As described on page 28.

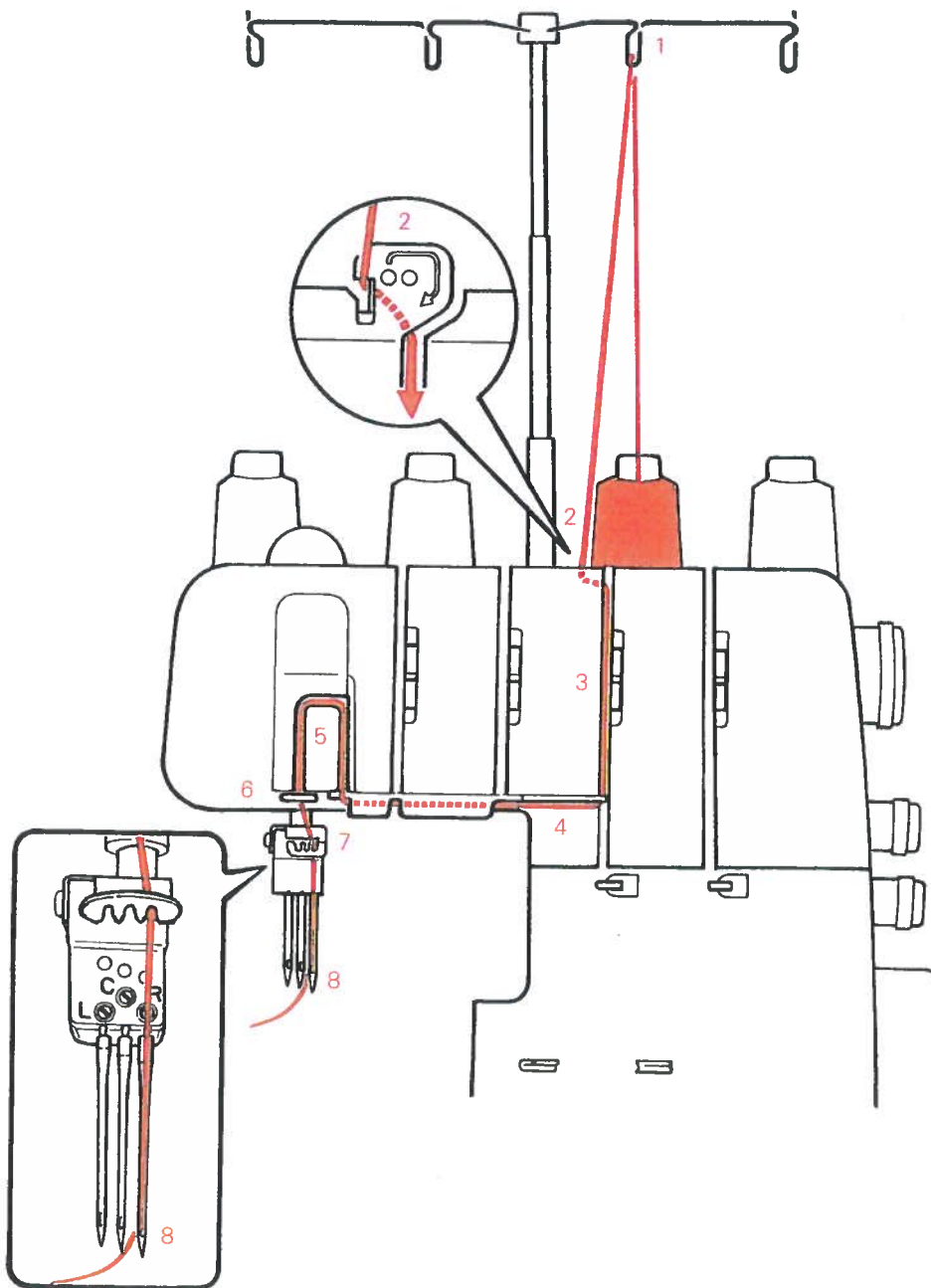


Cover stitch looper (purple)

Place the spool on the spool pin as illustrated.

1. Take the thread up from the spool and through the guide from back to front.
2. Thread the first guide.
3. Take the thread through the groove.
- 4., 5., 6., 7., 8., Thread guides
9. Press the lever of the auto-threader down.
10. Thread the guide and the slit of the threader. Push the auto-threader lever up and it will return to its normal position.
11. Thread the looper eye. Leave the thread end hanging in the machine and cut where marked.

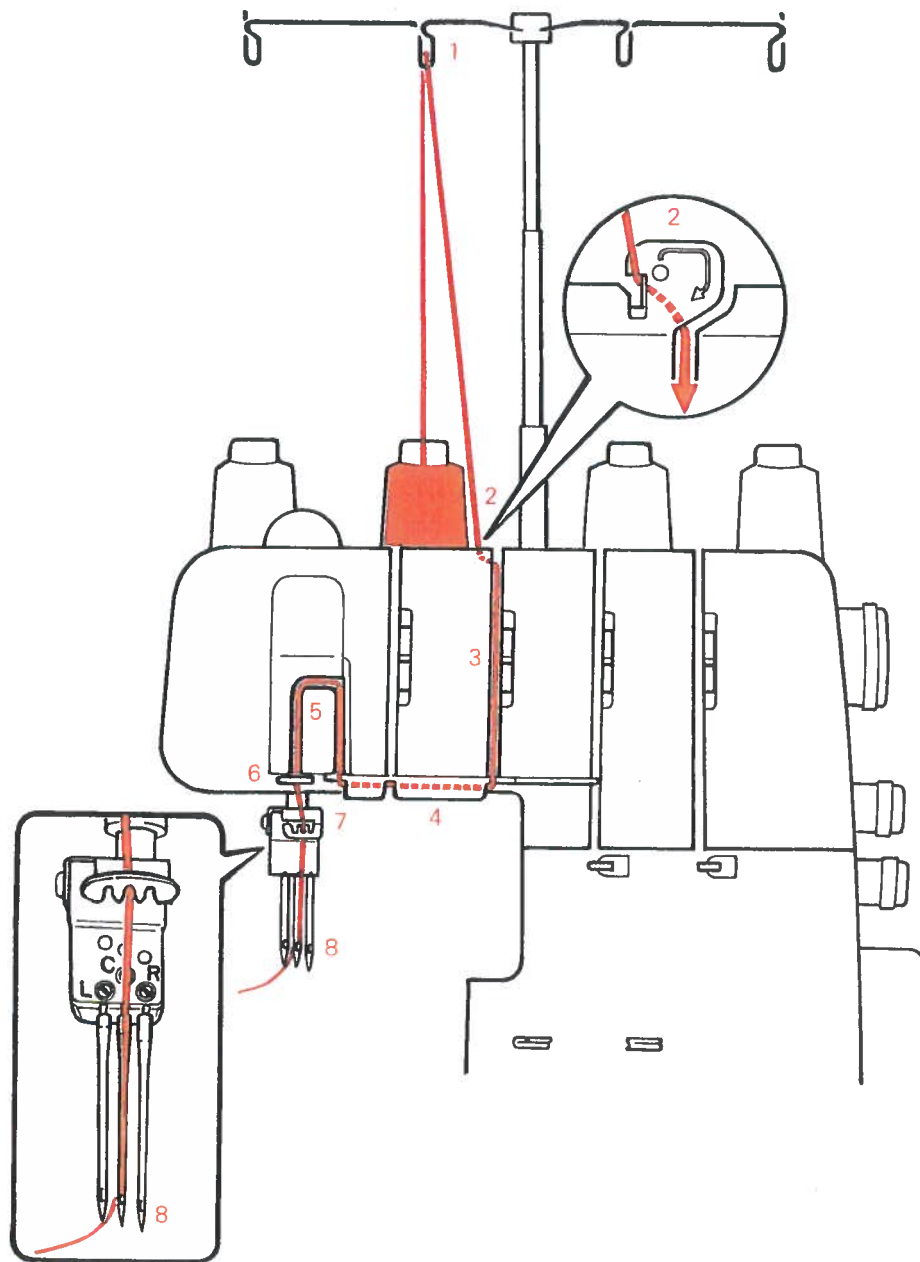
Cover stitch needle R (brown)



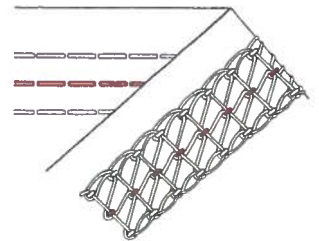
Place the spool on the spool pin as illustrated.

1. Take the thread up from the spool and through the guide from back to front.
2. Thread the first guide.
3. Take the thread through the groove.
- 4., 5., 6. Take the thread under the thread guide bar and through the take-up.
7. Thread guide on the needle clamp.
8. Thread the needle eye. Take the thread to the left over the presser foot and cut to the length of stitch plate.

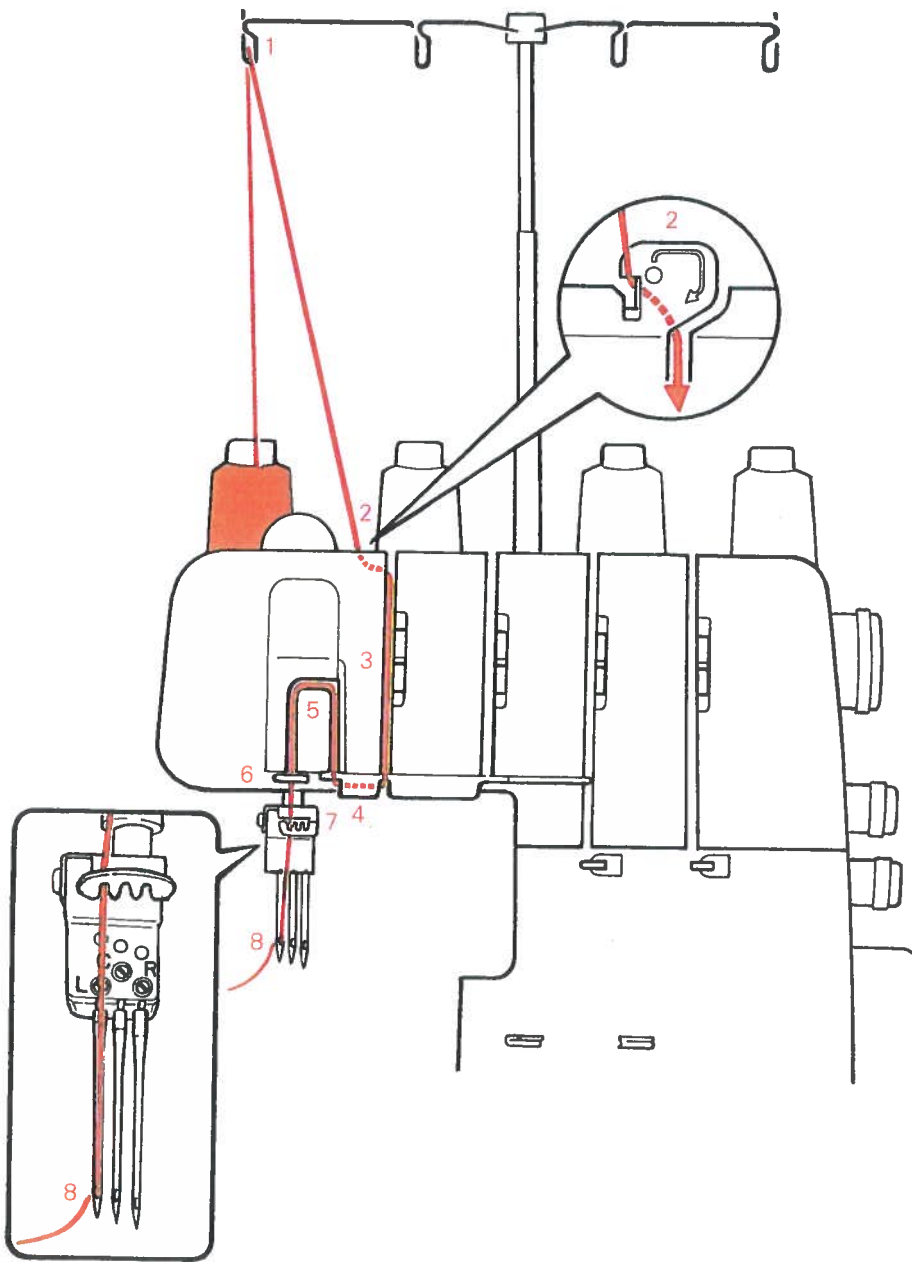
Cover stitch needle C (green)



Place the spool on the spool pin as illustrated.

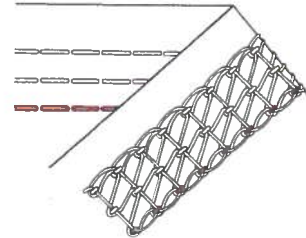


1. Take the thread up from the spool and the guide from back to front.
2. Thread the first guide.
3. Take the thread through the groove.
- 4., 5., 6. Take the thread under the thread guide bar and through the take-up.
7. Thread guide on the needle clamp.
8. Thread the needle eye. Take the thread to the left over the presser foot and cut to the length of stitch plate.



Cover stitch needle L (yellow)

Place the spool on the spool pin as illustrated.



1. Take the thread up from the spool and through the guide from back to front.
2. Thread the first guide.
3. Take the thread through the groove.
- 4., 5., 6. Take the thread under the thread guide bar and through the take-up.
7. Thread guide on the needle clamp.
8. Thread the needle eye. Take the thread to the left over the presser foot and cut to the length of stitch plate.

After threading

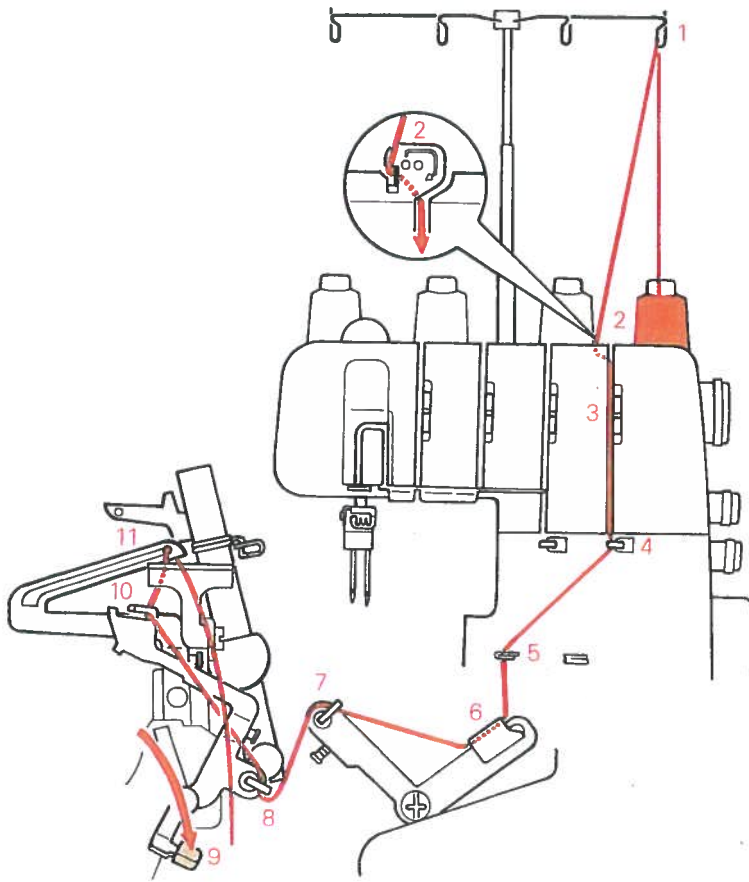
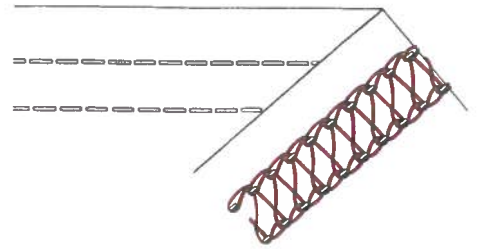
Lower the presser foot and close the looper cover.

Re-threading or changing thread

See page 32.

Preparation

As described on page 28.



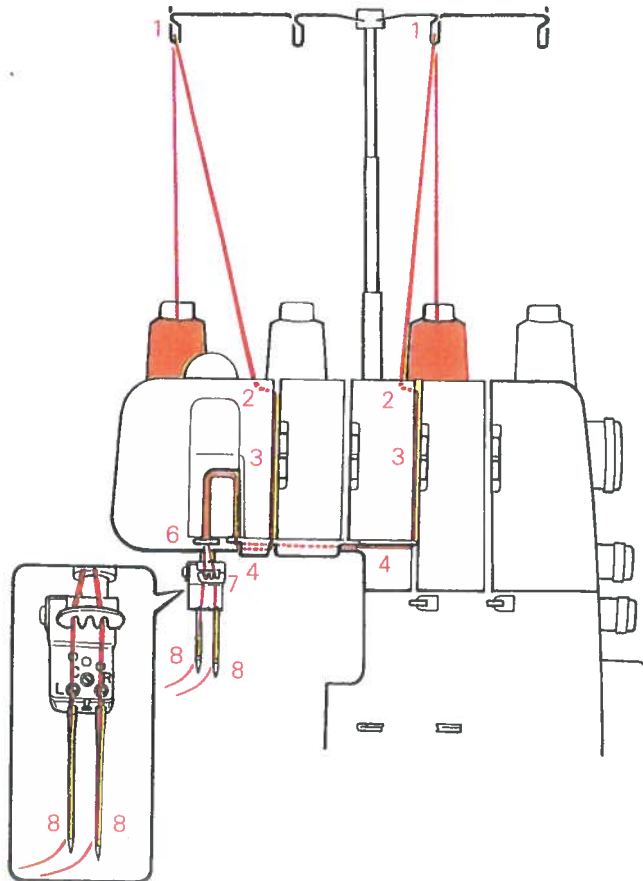
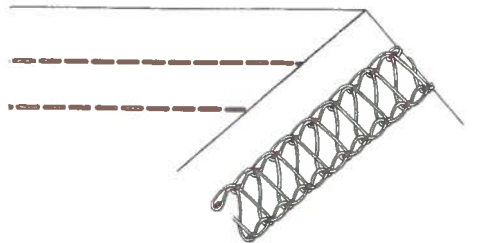
Cover stitch looper (purple)

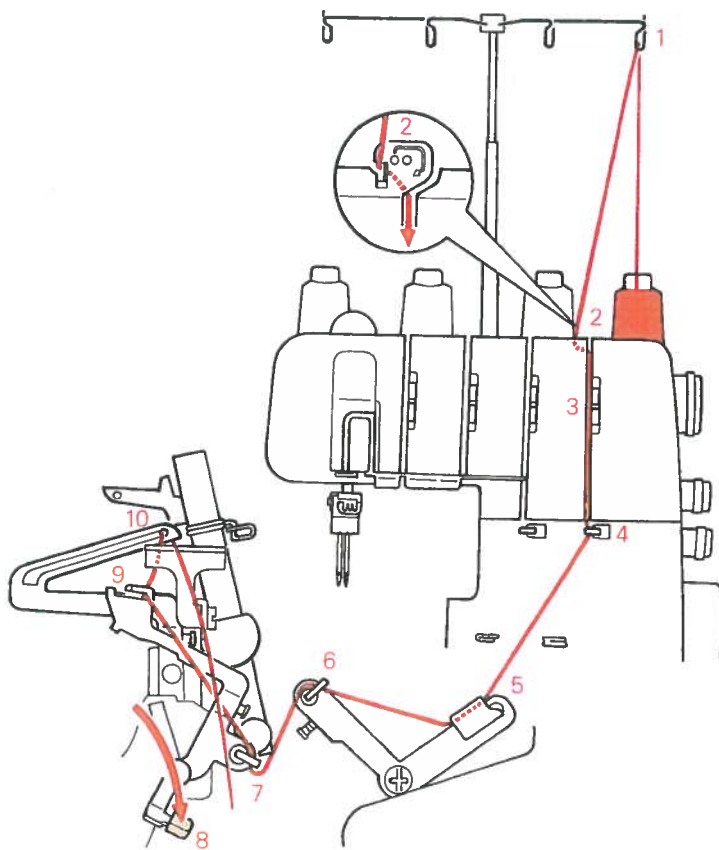
As described on page 39.

Cover stitch needle R (brown)

Cover stitch needle L (yellow)

As described on page 40, 42.



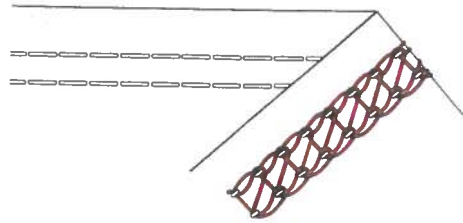


Preparation

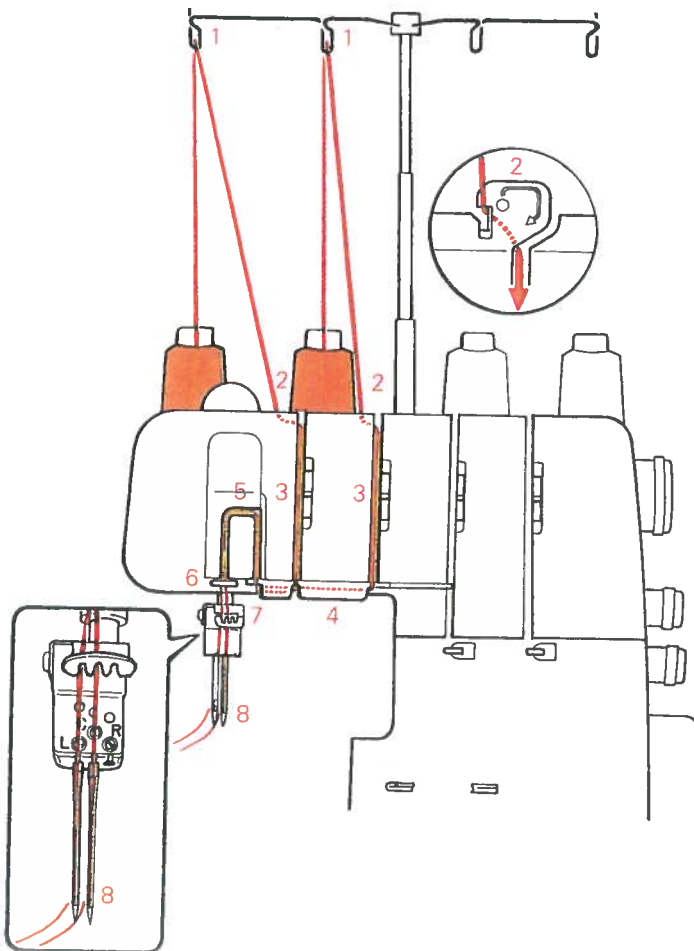
As described on page 28.

Cover stitch looper (purple)

Place the spool on the spool pin as illustrated.



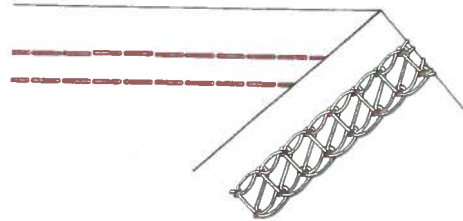
1. Take the thread up from the spool and through the guide from back to front.
2. Thread the first guide.
3. Take the thread through the groove.
- 4., 5., 6., 7. Thread the guides.
8. Press the auto threader down.
9. Thread the guide and the slit of the threader. Push the auto threader lever up and it will return to its normal position.
10. Thread the looper eye and leave about 8 cm (3") hanging.



Cover stitch needle C (green)

Cover stitch needle L or R (yellow/brown)

As described on pages 41 and 42.



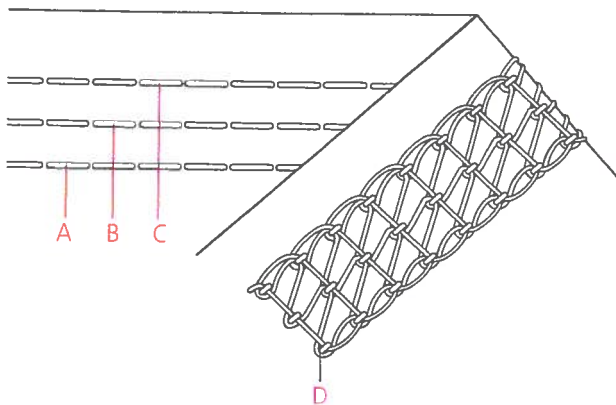
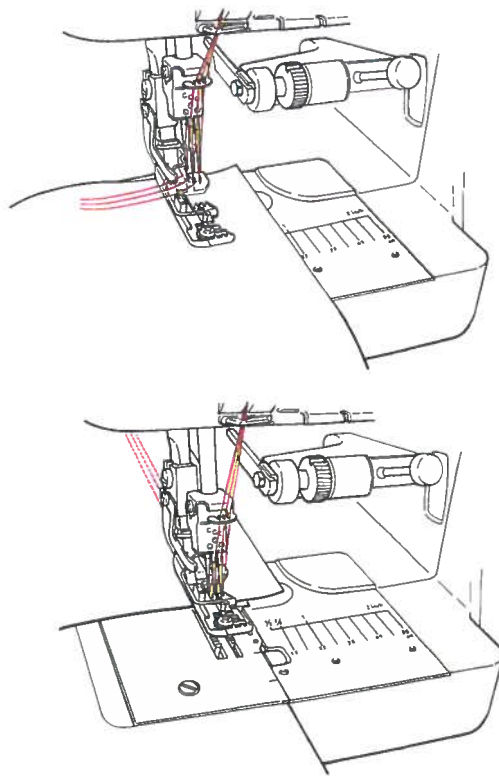
Cover stitch sewing test and fine tuning

To select cover stitch turn the stitch selection dial to position F.

Starting to sew:

Raise the presser foot and place a double layer of fabric under the presser foot and needles. Lower the presser foot. To make the first stitch, turn the handwheel towards you to check the position of the needles. Sew. When sewing is interrupted, the needles stop in the fabric.

When sewing is complete, raise the needles by turning the handwheel away from you (clockwise). This releases the needle threads from the lower looper. Do not use the Needle stop button! Raise the presser foot and remove work towards the left. Cut the thread chain (thread cutter).



Fine tuning cover stitch

Compare your result with the stitch formation on the threading diagram in the looper cover.

The needle threads form straight lines on the upperside of the fabric. They appear as dots on the underside of the fabric.

The looper thread forms horizontal and vertical loops between the rows of needle threads on the underside of the fabric to give a stretchy, durable seam.

Incorrect stitch formation can be corrected by fine tuning.

To increase the tension push the fine tuning lever up.
To reduce the tension push the fine tuning lever down.

- A Fine tuning for the needle L thread (yellow)
- B Fine tuning for the needle C thread (green)
- C Fine tuning for the needle R thread (brown)
- D Fine tuning for the lower looper (purple)

Fine tuning

The needle threads form loops on the underside of the fabric:

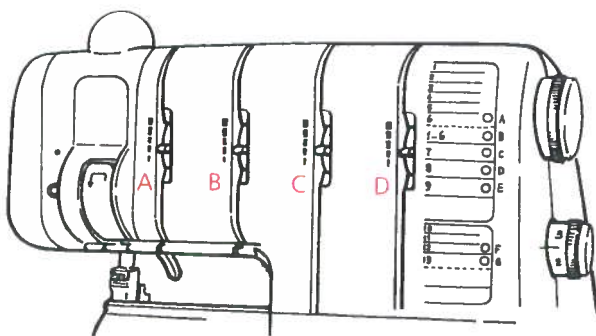
Increase the needle thread tensions.

Tip:

When using decorative threads, attach the deco guide (see page 34) over the looper threading path. Do not thread the first machine guide but take the thread directly through the deco guide.

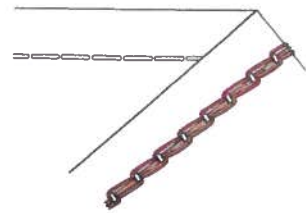
Note:

If using needle system JLx2, reduce the needle thread tensions slightly.



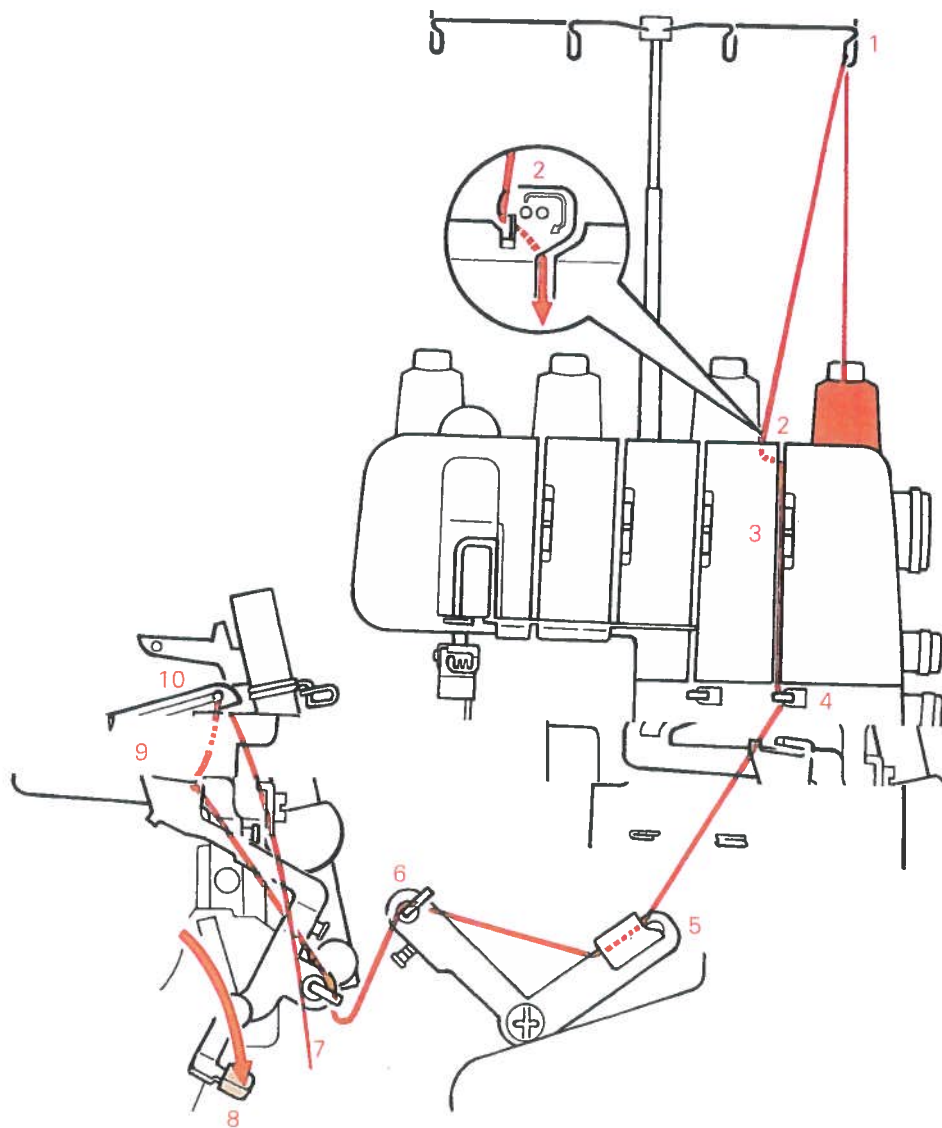
Preparation

As described on page 28.



Chain stitch looper (purple)

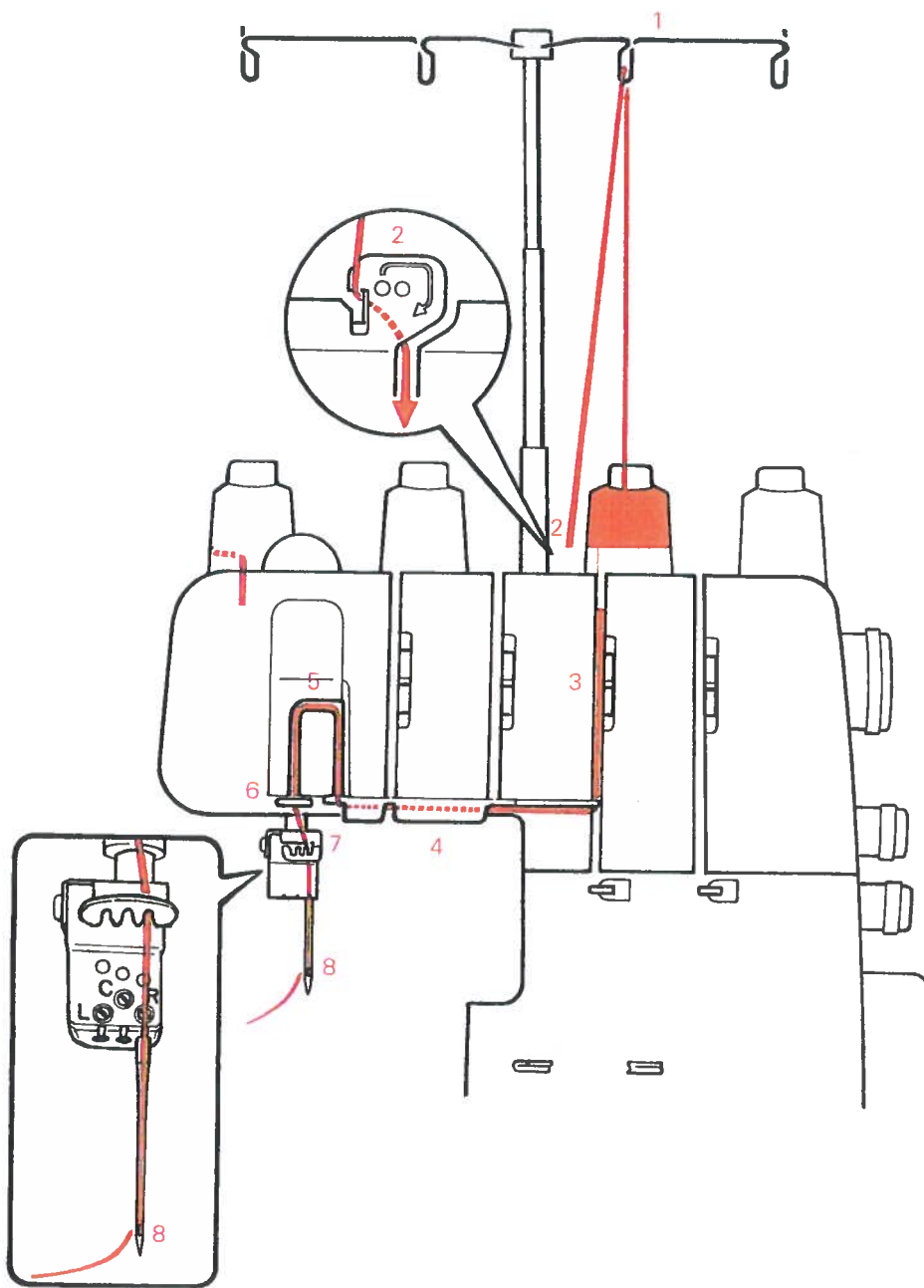
Place the spool on the spool pin as illustrated.



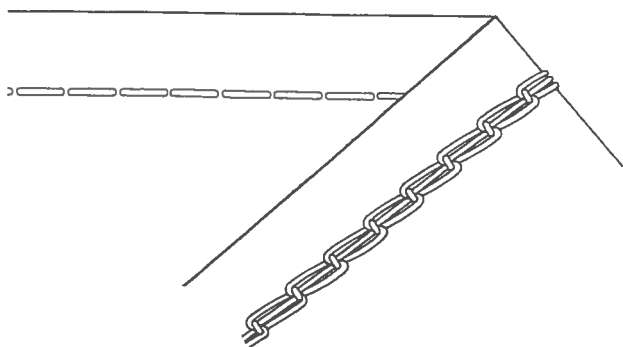
1. Take the thread up from the spool and through the guide from back to front.
2. Thread the first guide.
3. Take the thread through the groove.
- 4., 5., 6., 7. Thread the guides.
8. Press the auto threader down.
9. Thread the guide and the slit of the threader. Push the auto threader lever up and it will return to its normal position.
10. Thread the looper eye and leave about 8 cm (3") hanging.

Chain stitch needle R (brown)

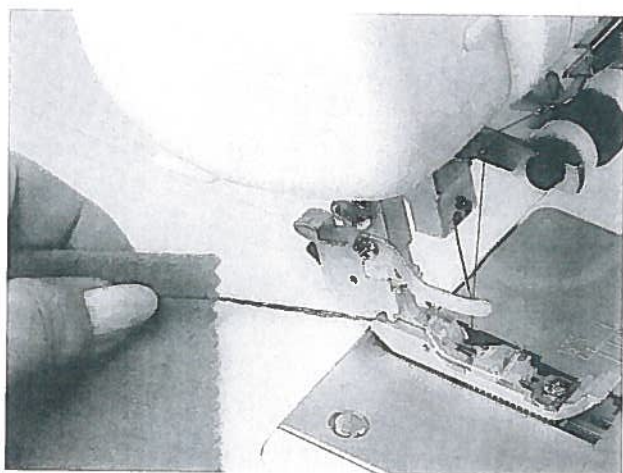
Place the spool on the spool pin as illustrated.



1. Take the thread up from the spool and through the guide from back to front.
2. Thread the first guide.
3. Take the thread through the groove.
- 4., 5., 6. Take the thread under the thread guide bar and through the take-up.
7. Thread guide on the needle clamp.
8. Thread the needle eye. Take the thread to the left over the presser foot and cut to the length of stitch plate.



Nach dem Einfädeln Nähprobe auf doppeltem Stoff nähen, um Stichformation und Fadenspannung zu prüfen.



Sewing test

- Plug in the machine and switch on (power switch to I).
- Stitch selection dial to G
- Stitch length 2.5
- Differential feed on N.
- Raise the presser foot and place the fabric under the foot and needle.
- Lower the presser foot.
- Turn the handwheel to form the first stitch.
- Sew.
- Continue sewing at the end of the seam to form a chain.
- Remove the work carefully to the left, cutting the threads on the cutter.

Seam end in fabric:

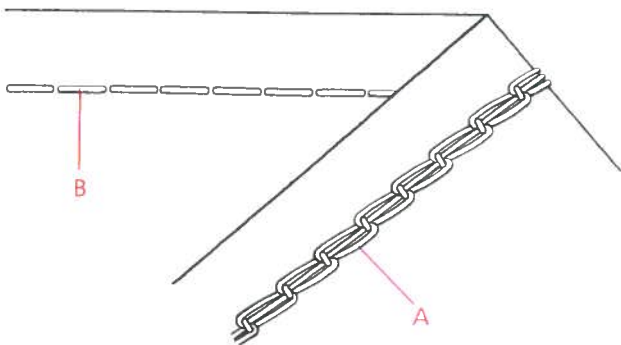
- Turn the handwheel anti-clockwise to lower the needles. Then turn it clockwise to bring the needles into their highest position. This releases the needle thread from the looper.
- Raise the presser foot.
- Remove the work carefully to the left.
- Take the threads over the cutter

Check results

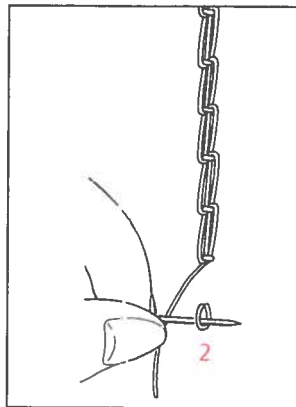
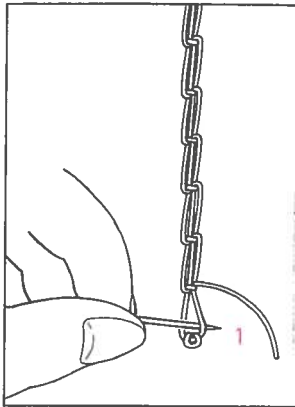
- A Loper thread (purple)
- B Needle R thread (brown)

Fine tuning chain stitch

The tensions can be adjusted to suit a variety of threads. To increase the tension, move the lever up. To reduce the tension, move the lever down.



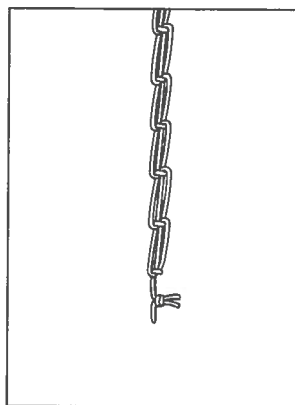
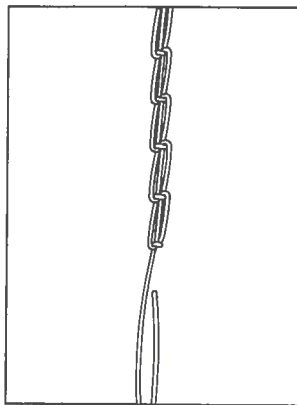
Securing the seam end



After removing your work turn it over to the wrong side. Secure the seam by pulling the loop (1) towards the left. If the looper thread is subsequently pulled to the upperside, the needle thread loops (2) are visible in the stitch formation and can also be pulled through to the wrong side and knotted.

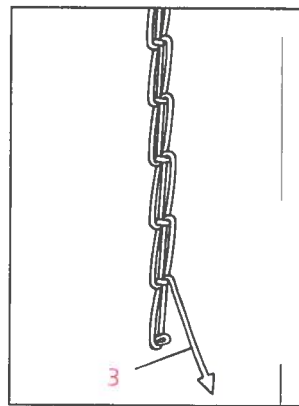
Note:

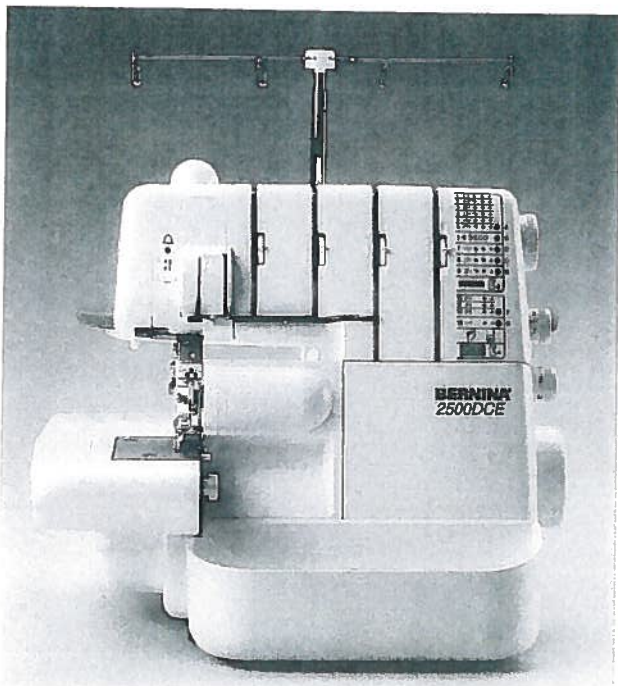
It is not necessary to secure the seam begin because the first stitch is automatically knotted by the subsequent stitches.



Unpicking seams

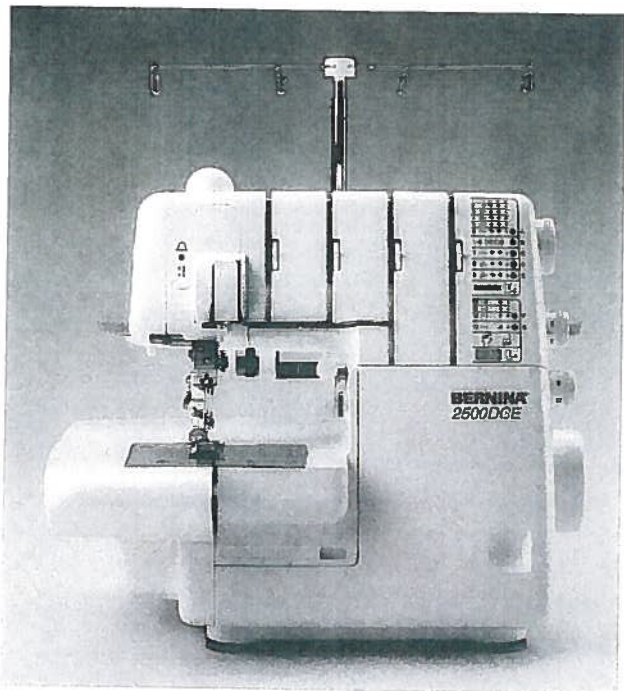
The chain stitch formation can be unpicked from the seam end by pulling the looper thread (3). The needle threads can then be removed from the right side.

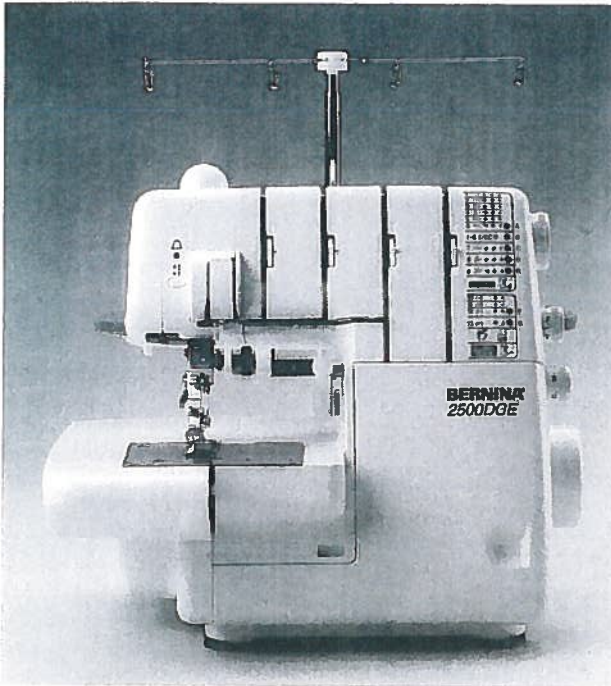




The individual steps of the conversion sequence are described in detail in the chapter: «Cover/Chain Stitch Functions» (pages 36, 37, 38).

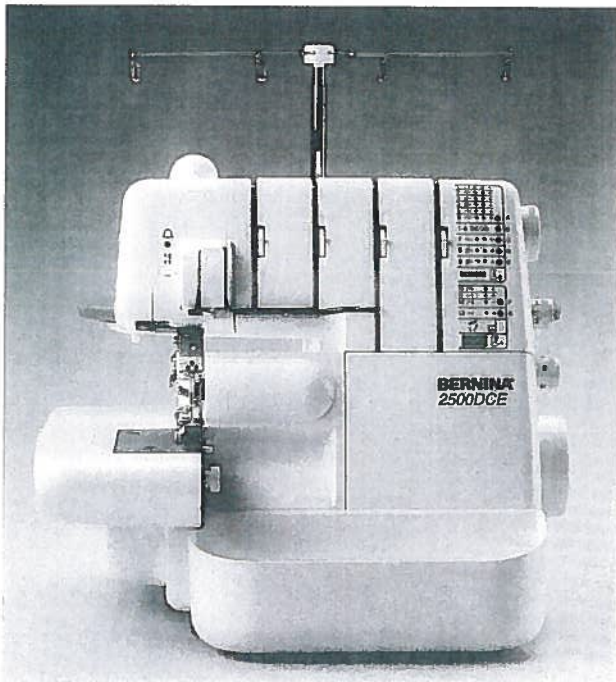
1. Turn stitch selection dial to position F for cover stitch or G for chain stitch.
2. Press the needle stop button to lower the needle clamp.
3. Remove the waste collector and open the looper cover.
4. Switch converter arm from overlock to cover stitch.
5. Remove the knife guard and attach the cover/chain stitch extension plate.
6. Turn the handwheel to bring the needle clamp into its highest position.
7. Raise the presser foot and swing out.
8. Raise the upper knife and upper knife arm.
9. Cut all threads and remove any chain.
10. Insert needles in the appropriate cover/chain stitch positions (tools in looper cover).
11. Thread cover or chain stitch needles..
12. Thread cover/chain stitch looper (purple markings). Close the looper cover.
13. Swing the foot back. Adjust the stitch length and differential feed to suit stitch and fabric.
14. Sewing test: Place fabric under the foot and needles. Sew. When the seam is complete, turn the handwheel away from you (clockwise) to raise the needles. Raise the presser foot, remove work and cut threads.





The individual steps of the conversion sequence are described in detail in the chapter: «Cover/Chain Stitch Functions» (pages 36, 37, 38).

1. Turn the stitch selection dial to desired position (A–E).
2. Lower the presser foot and press Needle stop to lower the needle clamp.
3. Open the looper cover.
4. Switch converter arm from cover/chain stitch to overlock.
5. Remove the extension plate and replace it with the knife guard.
6. Turn handwheel to bring needle clamp into its highest position.
7. Raise the presser foot and swing it out.
8. Cut all threads and remove any thread chain.
9. Insert overlock needle(s) in the appropriate positions for the stitch of your choice (tools in looper cover).
10. Thread needle(s).
11. Thread overlock looper(s) (depending on stitch choice).
12. Swing foot back and lower.
13. Lower the upper knife arm and upper knife if necessary.
14. Close the looper cover and attach waste collector.
15. Adjust stitch length, differential feed and cutting width to suit stitch and fabric.
16. Test sew: Raise the tip of the presser foot and position fabric (an overlock chain can also be formed without fabric). Continue sewing at the end of the seam until an 8 cm (3") chain is formed. Cut threads.

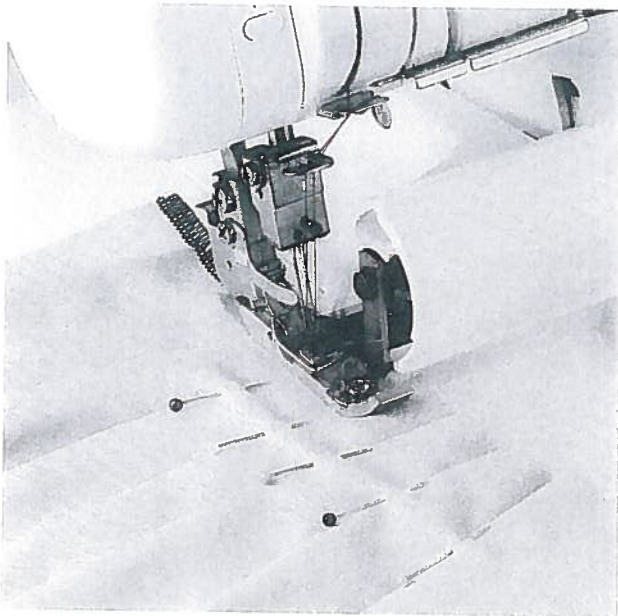


Pins

If you pin your work, remove the pins while sewing before they get near the knife. Or pin parallel to and about 2 cm (1") from the fabric edge (see 1, 2).

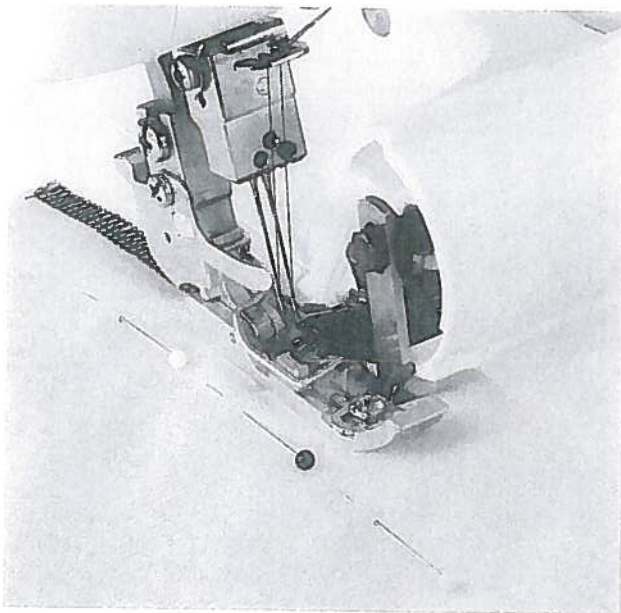
Tip:

Use pins with coloured heads which are easier to see in thicker, soft fabrics.



▲ 1

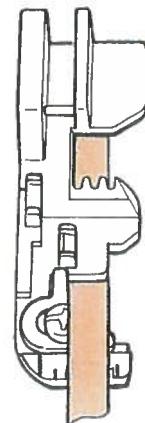
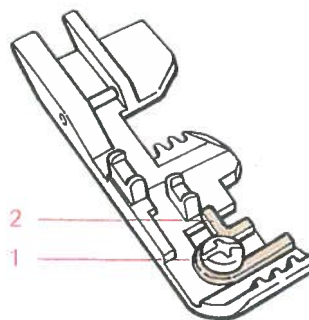
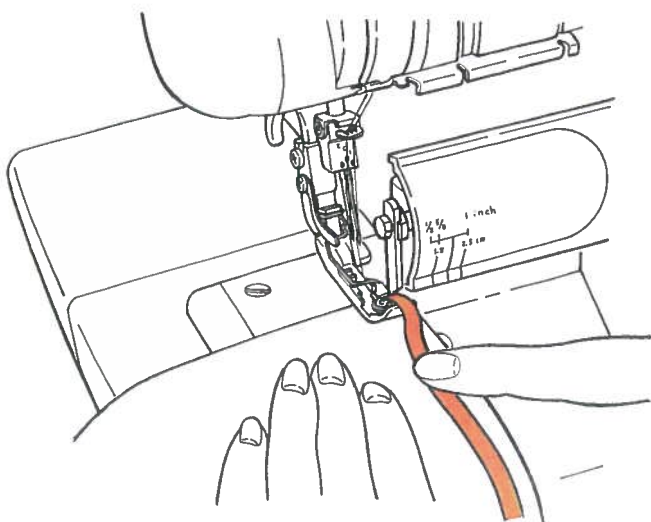
▼ 2



Tape guide

The standard presser foot is equipped with a guide for sewing on tape to strengthen or stabilise shoulder or side seams in garments made from knits or stretch fabrics. The guide is also ideal for sewing on narrow elastic for lingerie, swim and gymwear.

- Raise the needles (Needle stop).
- Raise and swing the presser foot out.
- Place the tape under the foot, slip it into the guide from the right and pull through slightly.
- Swing the presser foot back and lower it.
- Sew a few stitches on the tape.
- If necessary, loosen the fixation screw (1) and adjust the tape guide to suit the width of the tape (2).
- Retighten the screw.
- Raise the tip of the presser foot, place work underneath the tape/elastic and sew.



Gathering

Use the differential feed to gather a single layer of fabric before sewing it to a garment. For example, sleeve heads, lower edges, yokes, lace edging or frills.

Settings:

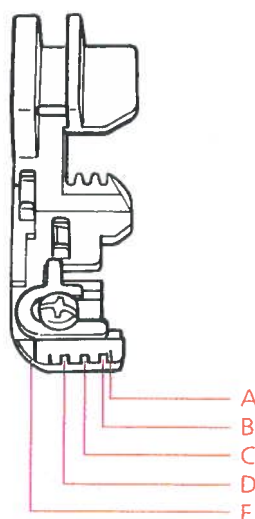
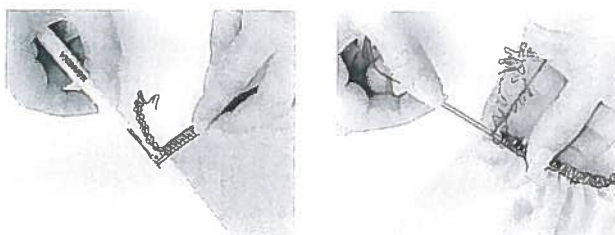
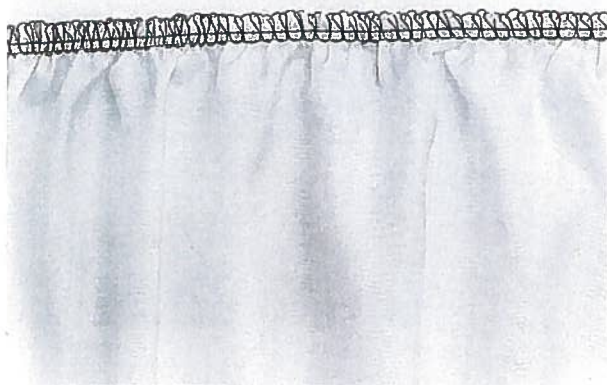
- Stitch: 4 thread overlock, position A/B
- Differential feed: 2
- Stitch length: 3–4
- Cutting width: 2

Note:

Increase the needle tensions for a tighter gather.

Tip:

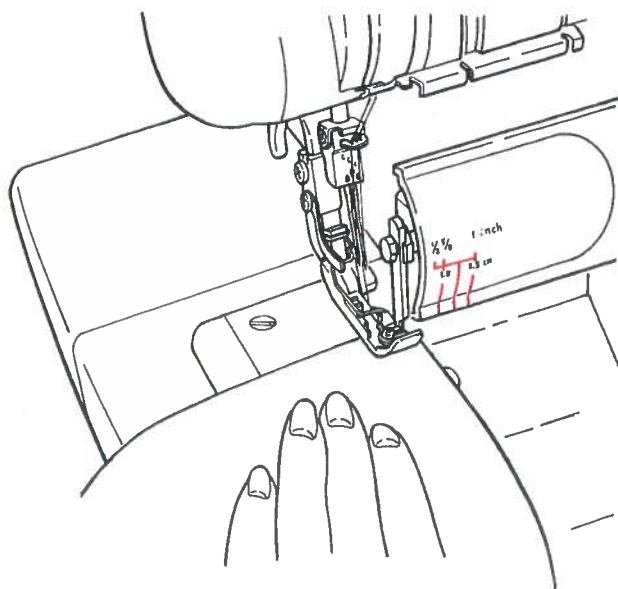
After sewing, loosen the needle threads from the thread chain with a pin or the BERNINA seam ripper pull the threads gently to gather fine fabrics.



Presser foot markings

The markings on the presser foot help to guide the fabric

- A Cutting line (cutting width 2)
- B Needle R insertion point (cover and chain stitch only)
- C Needle C insertion point
- D Needle L insertion point
- E 1 cm distance from cutting line (A) (cutting width 2)



Seam allowance markings

The seam allowance markings on the looper cover allow y to guide the fabric easily and perfectly according to the chosen or given seam allowance.

The measurements are taken from the point of needle insertion.

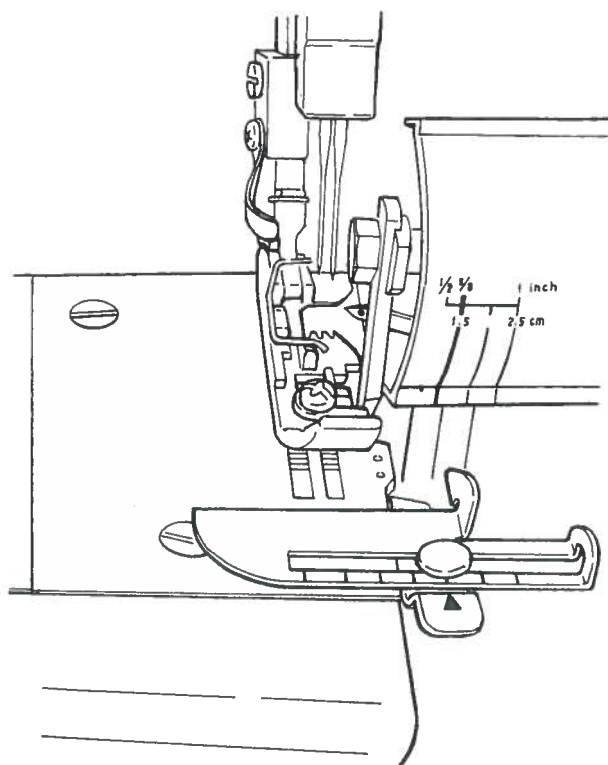
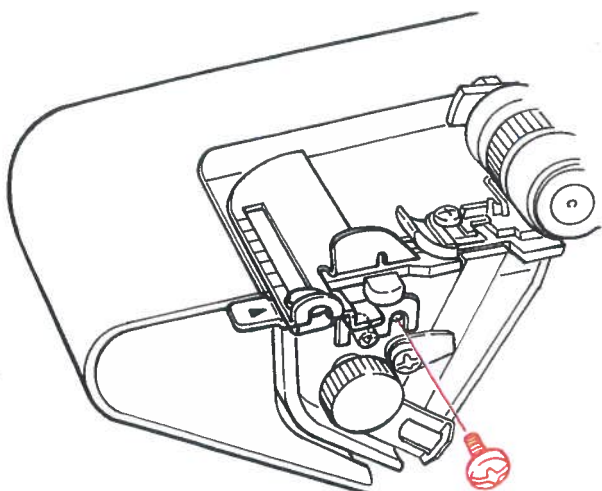
Seam guide right

Loosen the screw. Position the attachment (accessory bag) over the screw and retighten the screw.

Pull out the adjustable guide to the right until it is line with the desired marking on the looper cover. Feed the fabric edge along the guide and an even amount of fabric will be cut off.

To sew without cutting, push the guide to the left to line up with the cutting line on the presser foot.

Note:
Push the guide fully to the left to open the looper cover.

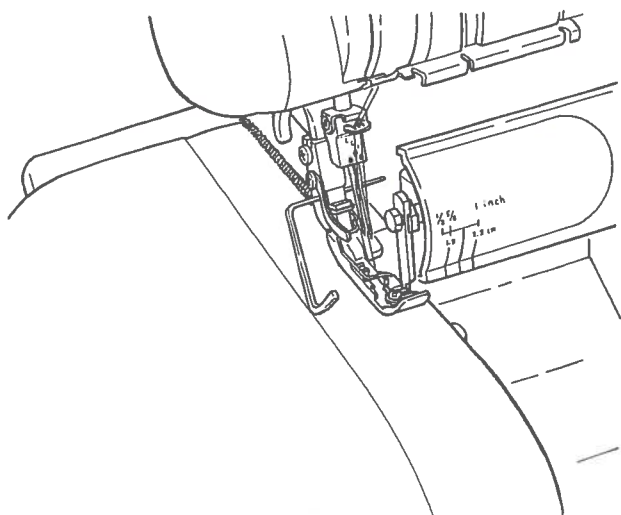


54

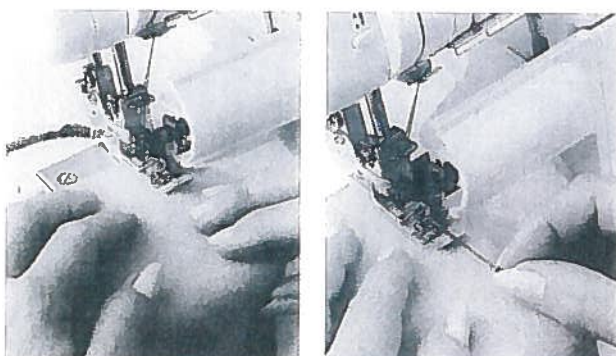
Seam guide left

The seam guide is a practical standard accessory (accessory bag). Simply insert into the space provided on the presser foot shaft and adjust to the desired seam width.

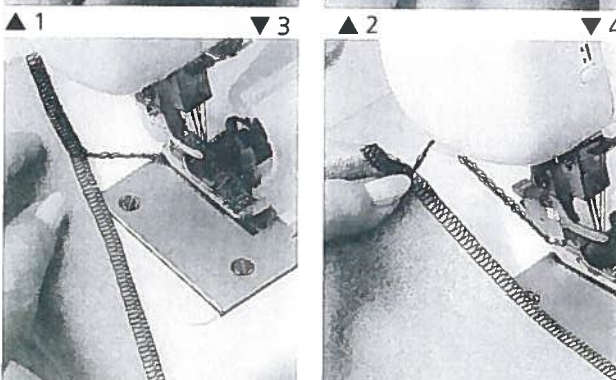
It is ideal for cutting fabric strips, e.g. for bias binding and for patchwork, for hems and pintucks, for sewing on decorative bands with flatlock stitches and for inserting lace with a narrow seam.



Sewing in the thread chain – seam begin

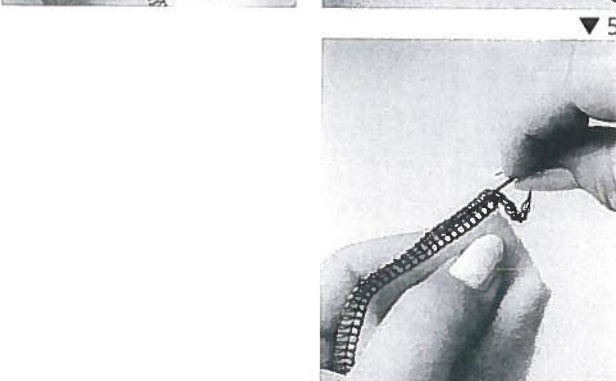


- Sew to form a 3–4 cm (2") chain.
- Position fabric and sew one stitch.
- Insert needles (Needle Stop down).
- Raise the presser foot.
- Pull the thread chain gently and from the left place it under the presser foot (in the tape guide if wanted).
- Lower presser foot.
- Start sewing, sewing over the thread chain.
- After approx. 2 cm/1", guide the thread chain towards the knife to cut off the excess (see 1, 2).



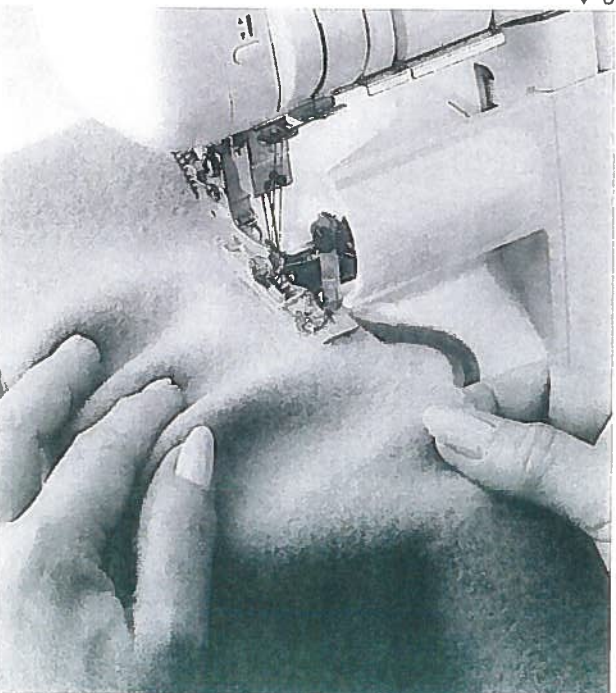
Sewing in the thread chain – seam end

- Sew to the end of the seam.
- Raise the needles (Needle stop down).
- Raise the presser foot.
- Remove work carefully towards the back.
- Turn work over and towards you and lay it under the presser foot so that the needle enters the fabric with the first stitch.
- Lower the presser foot.
- Sew carefully over the previous stitching without cutting for about 2–3 cm (1").
- Raise the tip of the foot and turn work away from you.
- Stitch off the edge (see 3, 4).



Securing thread chains

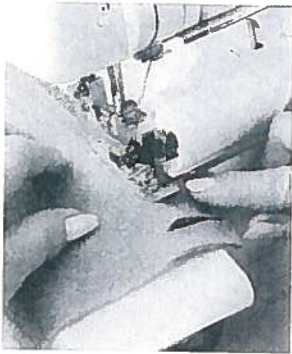
Leave a 12 cm/5" chain at the beginning and end of the seam so that it can be knotted or pulled through the first/last few stitches with a darning needle (see 5).



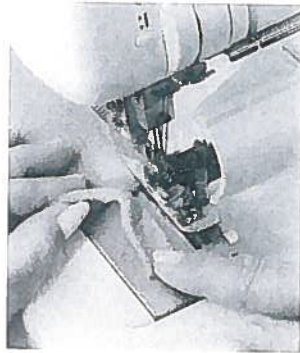
Sewing curves

Overlocking outside and inside curves is easy. As the fabric is first cut and then sewn, it is important to watch the knives and not the needles. Guide the fabric as straight as possible towards the knife. Avoid letting the fabric slip between the knives and needles (see 6).

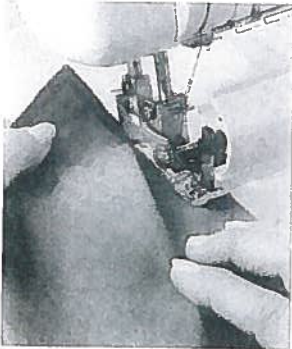
Sewing outside corners



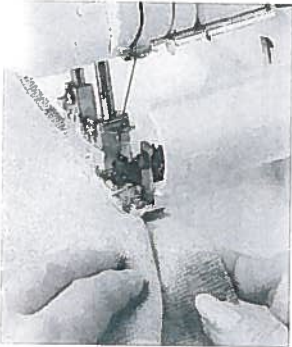
▲ 1



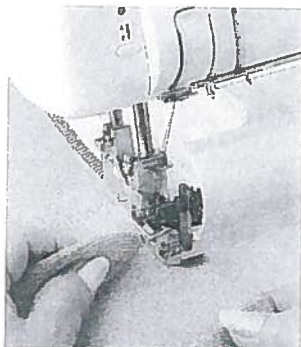
▲ 2



▲ 3

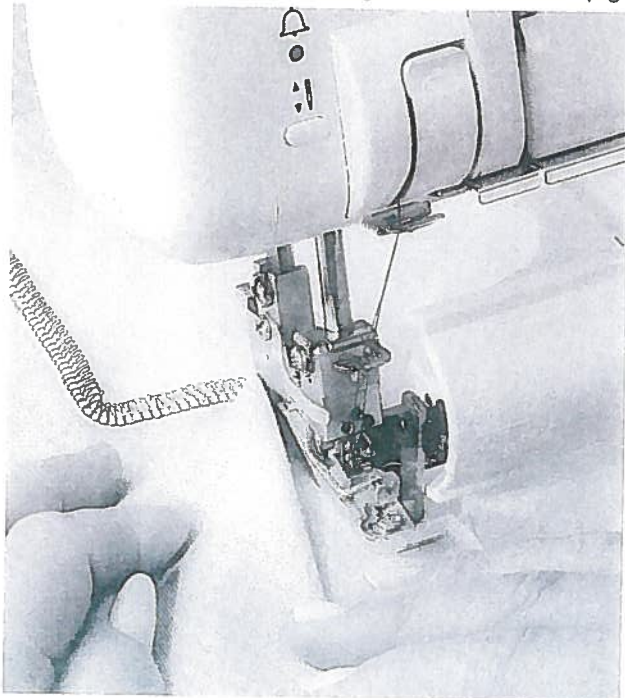


▲ 4



▲ 5

▼ 6

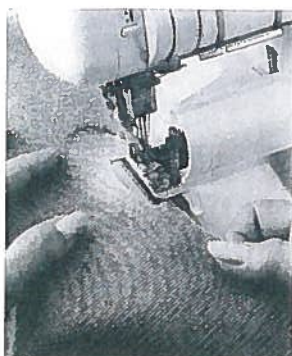


- Snip into each corner along the stitching line.
- Sew up to the corner and slightly over the edge of the fabric.
- Raise the needle (Needle stop).
- Raise the presser foot.
- Pull the work out at the back slightly to clear the threads from the stitch finger.
- Turn the fabric and lay it under the presser foot so that the cut edge of the fabric is against the knife.
- Lower the presser foot.
- Lower the needles (Needle stop down).
- If necessary, pull all the threads taut above the first machine guide.
- Continue sewing (see 1, 2, 3).

Sewing inside corners

- Snip into the corner up to the stitching line.
- Sew until the knife reaches the cut.
- Fold fabric towards you.
- Sew over the corner.
- Fold fabric away from you.
- Continue sewing (see 4, 5, 6).

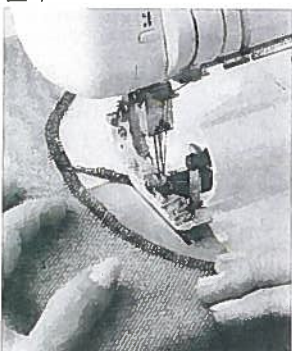
Sewing circular or tubular items



▲ 1



▲ 2



▲ 3

- Cut away a small section of the seam allowance.
- Raise the needles (Needle stop).
- Raise the presser foot.
- Position the fabric under the presser foot so that the edge of the cut is against the knife.
- Lower the presser foot.
- Sew.
- When the seam is complete, sew a few stitches over the previous stitches without cutting.
- Raise the tip of the presser foot and turn work away from you.
- Sew off the edge (see 1, 2, 3).

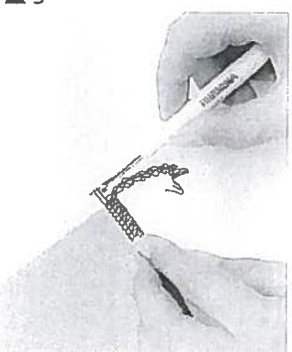
Unpicking seams

Method 1:

Cut the loops formed by the looper threads with sharp scissors or the BERNINA seam ripper. Pull gently on the threads and the seam will come undone (see 4, 5).

Method 2:

Loosen the loops formed by the needle threads with a pin or your BERNINA seam ripper. Pull first on the needle and then on the looper threads and the seam will come undone (see 6).

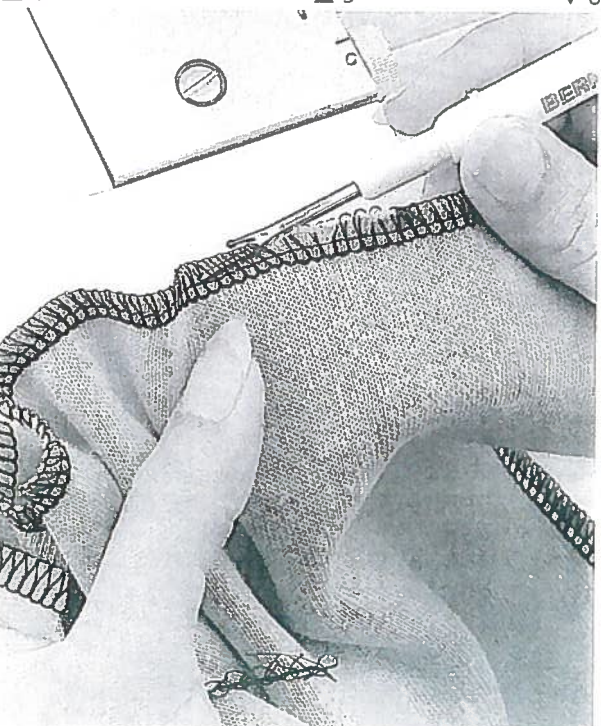


▲ 4

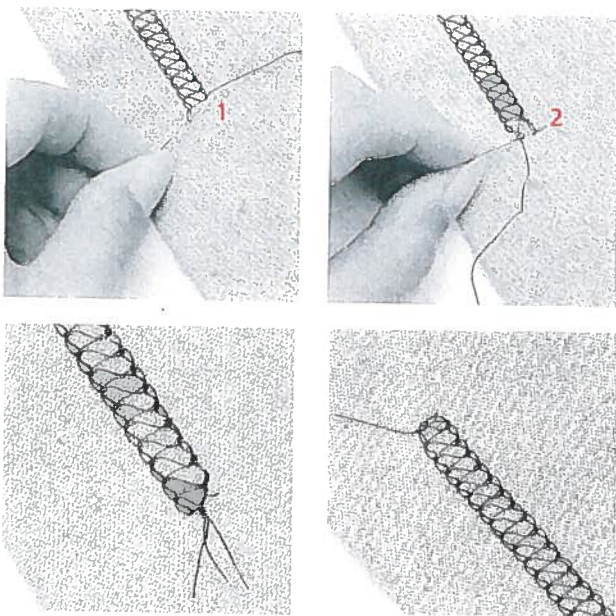


▲ 5

▼ 6



Securing the seam end



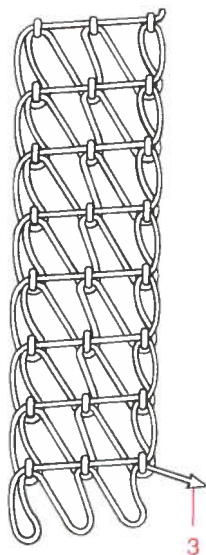
After removing your work turn it over to the wrong side. Secure the seam by pulling the loop (1) towards the left. If the looper thread is subsequently pulled to the upperside, the needle thread loops (2) are visible in the stitch formation and can also be pulled through to the wrong side and knotted.

Note:

The cover stitch formation can only come undone at the seam end. It is not necessary to secure the seam begin because the first stitch is automatically knotted by the subsequent stitches.

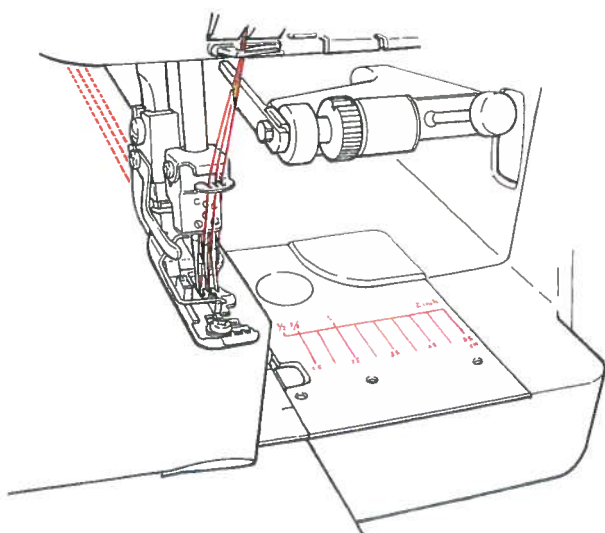
Unpicking seams

The cover stitch formation (chain formation) can be unpicked from the seam end by pulling the looper thread (3). The needle threads can then be removed from the right side.

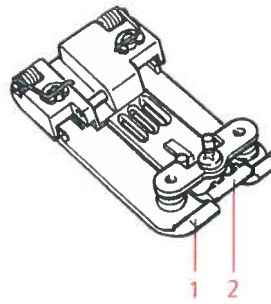


Stitch plate with seam guide lines

The seam guide lines on the extension plate are an invaluable aid for sewing hems, bindings and for top stitching.



Cover stitch presser foot



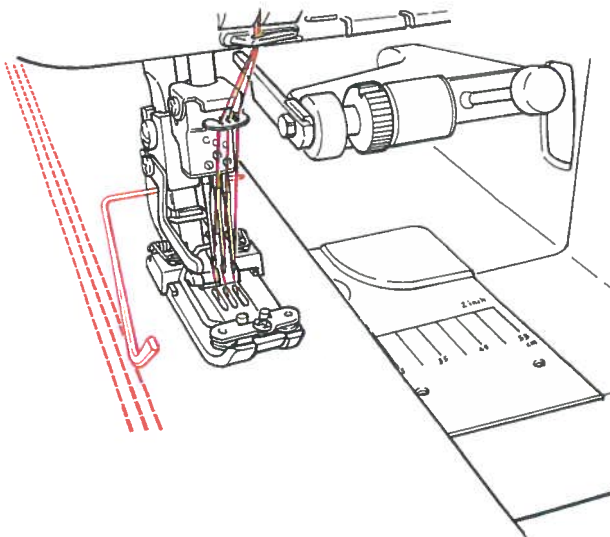
The cover stitch presser foot (accessory) is used together with the seam guide right and for work where precise guiding is necessary.

The presser foot (compensating foot) consists of a solid centre section and two spring-loaded side sections. The indents on the centre section (1) indicate the needle positions and act as guides. The spring-loaded side sections (2) guide the fabric and prevent sideways movement. Perfect for topstitching hems with elastic, folded edges, seams and ribbings as well as binding or sewing on lace or elastic.

Note:

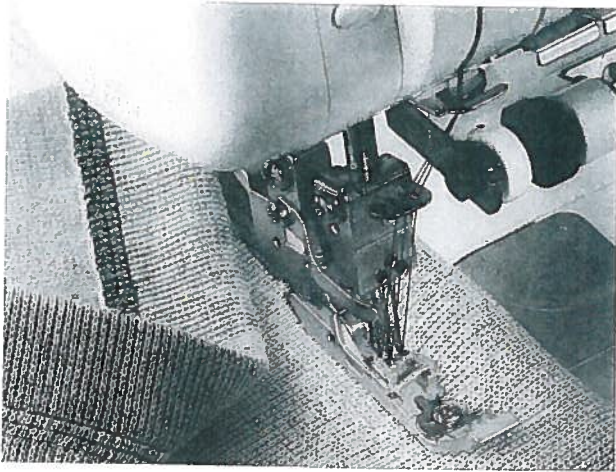
Cover stitch compensating foot:
 To prevent damaging the needle points, the cover stitch foot (Accessory) should not be swung out.

Seam guide left



The seam guide left (accessory bag) is ideal for guiding parallel lines or edges which require a guide to the left. For example shoulder straps or decorative seams in the fabric as well as sewing on binding and bands.

Simple hem

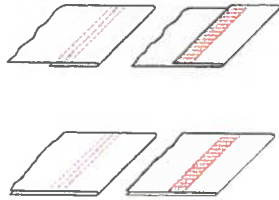


Stitch length: 3–4
Differential: N–2 (depending on fabric)

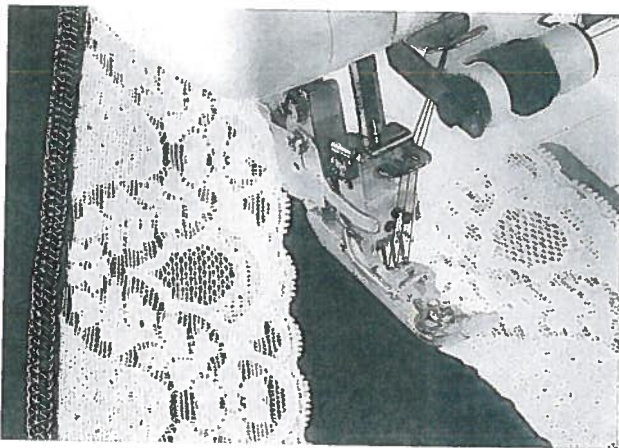
- Mark hem depth and fold or press.
- Place fabric under the foot and guide the folded edge along a line on the stitch plate.

The hem is sewn and the raw edge on the wrong side is neatened simultaneously. Surplus seam allowance can be trimmed close to the stitches if desired.

Ideal for all stretch fabrics.



Flat joining seam

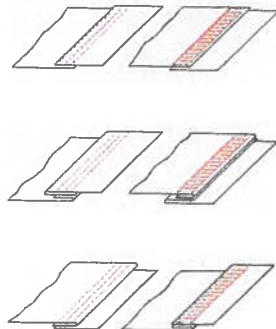


Stitch length: 3–4
Differential: N–2 (depending on fabric)

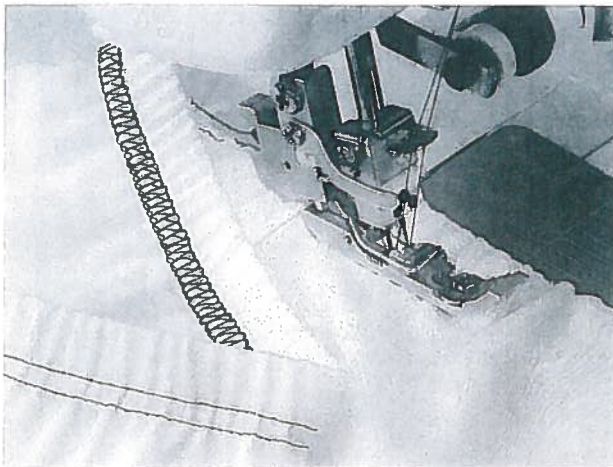
- Mark seam allowances.
- Turn or press under the edge of the upper fabric (if not already neatened).
- Place edges on top of one another.
- Guide fabric edge along one of the side sections of the foot.

When sewing on elastic or lace, place it on the fabric and cover with the seam allowance. The underside (raw edge) will be neatened. If the seam allowance is more than 6 mm (1/4"), it can be trimmed close to the stitches after sewing.

Ideal for all hems and edges with elastic in jerseys, knits and stretch fabrics. Suitable for shaped pieces such as raglan sleeves, curved inserts and bindings.



Edges with elastic

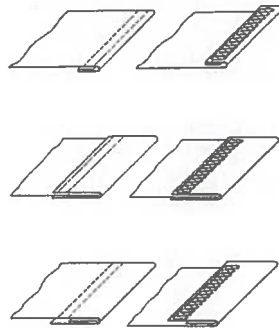


Stitch length: 3–4
Differential: 0.7–N

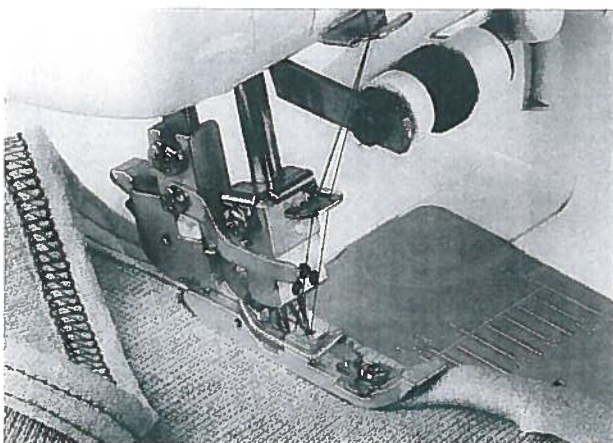
- Sew on elastic with 4-thread overlock
- Turn the raw edge to the width of the elastic and topstitch from the right side.

Guide the fold along the right section of the foot or use one of the lines on the stitch plate as a guide. The hem is stretchy, durable and regains its shape after stretching.

Ideal for swimwear, gymwear, children's clothing, skirt and trouser waistbands.



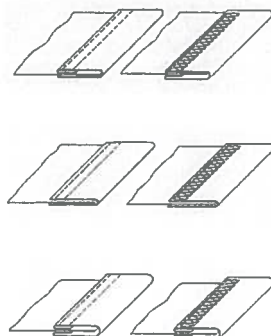
Binding



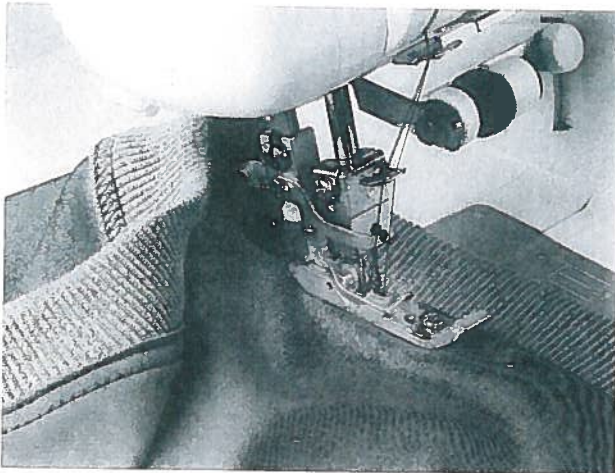
Stitch length: 3–4
Differential: N

Cut bias binding or bias cut strips to the desired width, mark if wanted and press or pin. Lay the binding round the fabric edge and sew. Guide the edge of the binding on the right of the fabric along the left side section of the foot. The edge of the binding on the wrong side (raw edge) is neaten by the looper thread. Trim surplus binding close to stitches.

Ideal for neck edges on stretch fabrics, armholes and finishes on tubular items.



Top stitching seams/ribbing/yokes

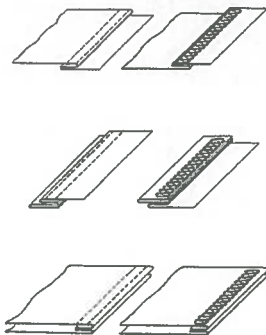


Stitch length: 3–4
Differential: 0.7–N

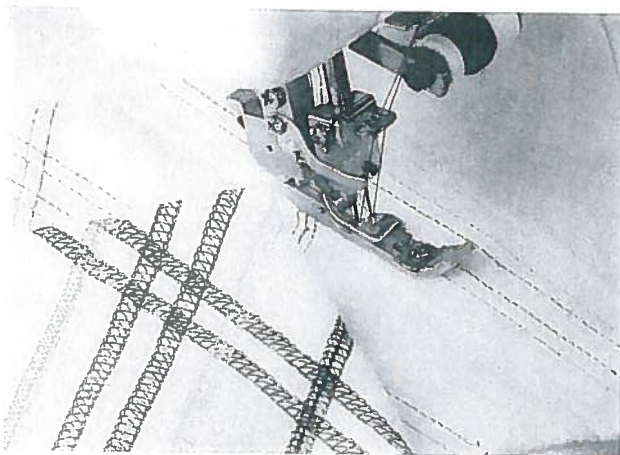
- Fold or press seam to one side.
- Edge stitch (or at distance desired) from the right.
- Guide the edge of the fabric along the side sections of the foot.

Cover stitch is perfect for top and edge stitching overlock seams in all stretch fabrics to give a professional, durable and decorative finish.

Ideal for sweatshirts, all garments made from jersey such as dresses, jackets, coats and garments made with the patchwork technique.



Decorative stitching



Stitch length: 3–4
Differential: 0.7–N

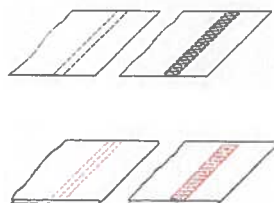
The additional space to the right of the needle allows you to sew decorative effects on the fabric.

The «wrong» side of the stitch can be used on the «right» side of the fabric. It is particularly effective if fine decorative threads are used in the looper.

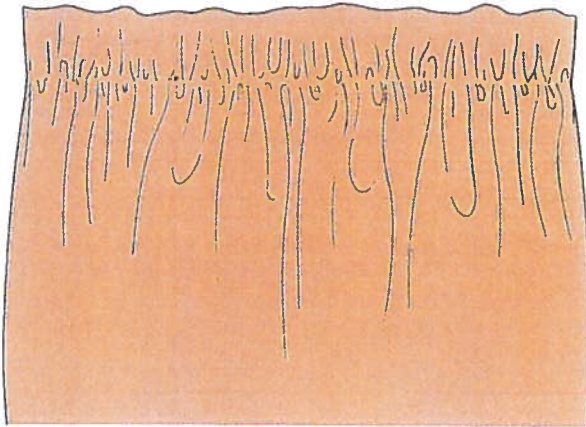
Use the Deco Guide if necessary (page 34).

- Draw pattern lines on the right or left side of the fabric.
- Sew.

Tip:
Use a double layer of fabric or stabilizer.
Remove or trim after sewing.

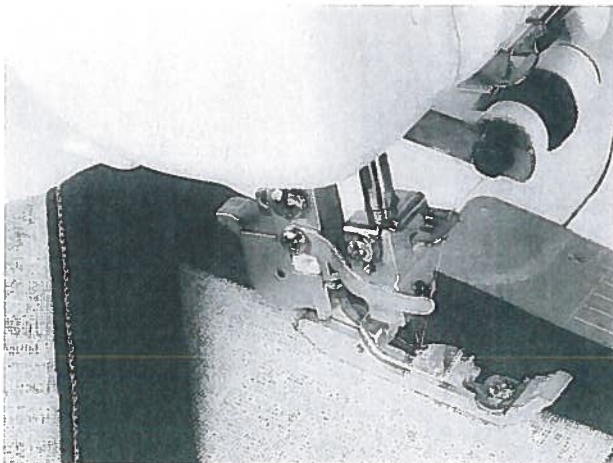


Gathering with chain stitch



Single layers of fabric can be gathered with chain stitch and differential feed.
Differential feed: 2
Stitch length: 4
Tensions: pre-set

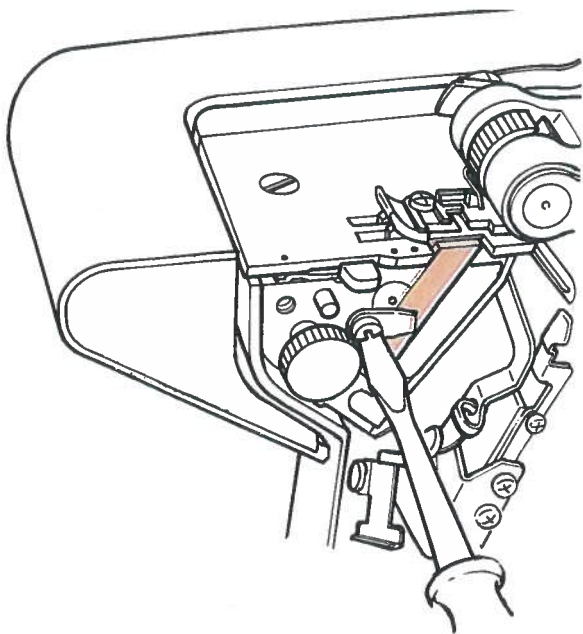
Binding



Stitch length: 3–4
Differential feed: N
Cut the binding four times the width of the finished width.
Mark if necessary and press.
Place the binding right side to the wrong side of the fabric, pin if wanted and sew.
Turn the binding to the right side and stitch from the right.

Note:
For fine fabrics use the cover stitch foot (compensating foot.)

WARNING! Please refer to the safety instructions.



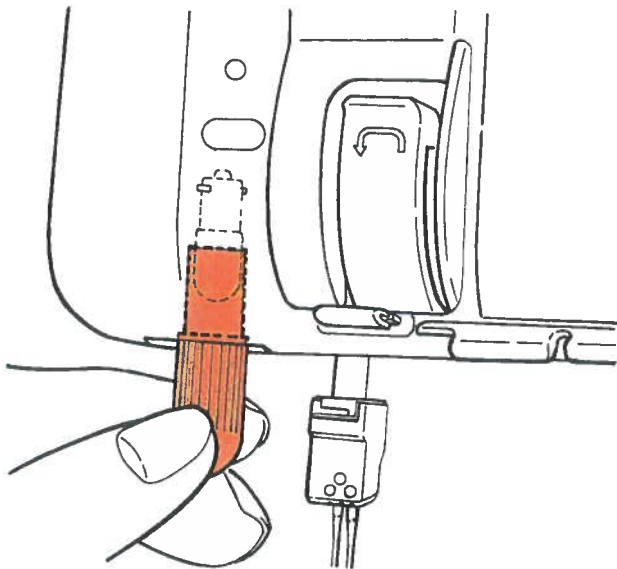
Always disconnect the machine from the electricity supply when carrying out any of the following tasks.

Upper knife

The upper knife (moving knife) is made from special material and generally does not need replacing. Should it get damaged, it can be replaced by your local BERNINA dealer.

Replacing the lower knife

- Open the looper cover.
- Raise the needles fully (Needle stop).
- Raise the upper knife.
- Loosen the setscrew on the lower knife retaining plate with the large screwdriver.
- Remove the lower knife.
- Fit the replacement knife (accessory bag) in the groove so that the sharp edge is in line with the stitch plate.
- Retighten the setscrew.
- Lower the upper knife.
- Close the looper cover.
- Test sew.



Replacing the bulb

Using the special bulb holder provided in the accessory bag, press upwards against the bulb, turn to the left and remove the bulb.

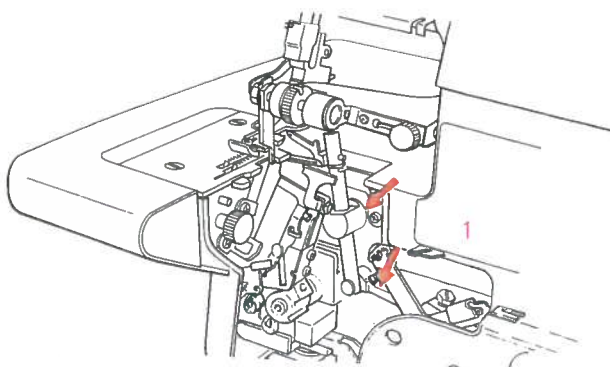
Place the new bulb on the holder. Insert into the bulb fixation, press upwards and turn to the right until the bulb engages.

Replacement bulbs for your BERNINA overlocker are available from your BERNINA dealer. Use max. 12 Volt/5 Watt bulbs.

Cleaning and lubricating

Dust and fluff collect on and in the machine. This should be removed regularly.

Your BERNINA overlocker requires very little lubrication as the main components are made of special materials. Now and then lubricate the points illustrated.





Trouble shooting guide

Problem:	Cause:	Solution:
The machine does not sew.	The presser foot is up or the looper cover is open, the safety control lamp is on.	Lower the presser foot. Close the looper cover.
	The main switch is not on.	Switch machine on. Main switch to I.
	The machine is not plugged in.	Plug machine into mains socket.
Fabric does not feed evenly:	Differential feed is wrongly adjusted.	Check the differential feed setting.
	Presser foot pressure is too low.	Adjust the presser foot pressure.
	Lower or upper knife is blunt or wrongly positioned.	Replace the lower or upper knife.
Thread breaks:	Thread tension is too tight for the thread being used.	Reduce thread tension.
	Needles not inserted correctly.	Insert needles fully into needle clamp with flat side to the back.
	Wrong needles.	Use system 130/705 H needles for overlock or cover stitch, or JLx2 for cover stitch.
Needles break:	Needles are bent, blunt or points are damaged.	Replace the needles.
	Needles not inserted correctly.	Insert needles fully into needle clamp with flat side to the back.
	Fabric was pulled while sewing.	Guide fabric gently with both hands.
Skipped stitches:	Needles are bent or blunt.	Replace the needles.
	Wrong needles used.	Use system 130/705 H needles for overlock and cover-/chain stitch or JLx2 for cover stitch.
	Presser foot pressure is too low.	Increase foot pressure.
Poor stitch formation:	Sewing position incorrect.	Turn the stitch selection dial to the correct position.
	Threads are not between the tension discs.	Check if thread is lying between tension discs.
	Thread has got caught.	Raise the presser foot, pull the threads and lower the presser foot.
	Machine is incorrectly threaded.	Check threading path of each thread.
Seams flute or wave, especially when sewing knits.	Presser foot pressure is too high.	Reduce presser foot pressure.
	Differential feed is set incorrectly.	Adjust differential feed to between N and 2.
	Fabric was pulled while sewing.	Guide fabric gently.

Problem:	Cause:	Solution:
Seams pucker:	Differential feed is set incorrectly.	Adjust differential feed to 0.7 - N.
	Needle thread tensions are too tight.	Reduce needle thread tensions.
	Looper thread tension is too tight for thread.	Use the Deco Guide.
Fabric edges curl:	Too much fabric in the stitch.	Reduce the cutting width.
	Stitch selection lever is on roll hem.	Set selection lever to overlock.
Thread loops are too loose.	Too little fabric in the stitch.	Increase the cutting width.
Machine stops sewing:	Should the machine stops sewing, the motor cuts outs for 2 seconds after which you can continue sewing.	Check why the machine stopped. The machine will sew again after the safety cut-out.
Fabric cannot be removed: (Cover stitch)	Handwheel was turned anti-clockwise.	Insert needles into fabric, press Needle stop, turn the handwheel away from you (clockwise) to raise needles. Remove work.

- A**
- Accessories 8, 9
 - looper cover 8
 - in accessory bag 9
 - Automatic thread tension 23
- B**
- Binding (cover stitch) 61
 - Bulb 64
 - holder 64
 - replacing 64
- C**
- Chain stitch 46, 47
 - practical sewing 63
 - test sew 48
 - threading 26, 46
 - Cleaning and lubricating 64
 - Cloth plate 13
 - Cones, positioning 11
 - Converter arm (overlock/cover stitch) 37
 - Corners, sewing 56
 - Correct stitch formation
 - cover stitch 45
 - overlock stitches 33
 - Cover/chain stitch 36
 - extension plate 6, 9
 - converting to overlock 50, 51
 - converting from overlock 50, 51
 - needle positions 19
 - presser foot 59
 - Cover stitch applications
 - 3 thread cover stitch 26, 27
 - 4 thread cover stitch 26, 27
 - binding 61
 - decorative stitching 62
 - flat joining seams 60
 - hems with elastic 61
 - simple hems 61
 - Cutting width 19
- D**
- Deco Guide 34
 - Decorative edge finishes 25, 27
 - Decorative overlock threads 21
 - Decorative stitching with cover stitch 62
 - Details of machine 6
 - Differential feed 16, 17
 - Domestic spools 11
- E**
- Edges
 - finishing 24, 25
 - hemming (cover stitch) 60–63
 - neatening 25
 - Elastic
 - edges with cover stitch 61
 - sewing on with overlock 52
 - Electronics/safety 12
- F**
- Fabric edges curl up 67
 - Fabric edges wave 67
 - Fabric feed 66
 - Fabric/needle/thread 21
 - Feed – uneven 66
 - Fine tuning
 - chain stitch 48
 - cover stitch 45
 - overlock stitches 35
 - First thread guide 28
 - Flat seams 24, 25
 - cover stitch 60
 - overlock 24, 25
 - Foot control
 - attaching 10
 - Free arm 13
- G**
- Gathering 53
- H**
- Handwheel 13
 - Hems with cover stitch 26, 27
- K**
- Knives
 - holder 15, 18
 - position lower knife 15
 - raising upper knife 18
 - raising upper knife arm 37
 - replacing 64
 - Knife guard 38
- L**
- L needle 19
 - threading 32, 42, 43, 44
 - tension 23, 33
 - Legend
 - stitch selection 22, 23
 - Light switch 12
 - Looper cover
 - opening/closing 14
 - lower looper threading (overlock) 30
 - lower looper threading (cover stitch) 39
 - lower looper threading (chain stitch) 43
 - upper looper threading 29, 30, 39
 - upper looper release (converter) 27
 - Loose loop formation 35, 67
- M**
- Machine does not sew 66
 - Maintenance 64
 - Micro safety switch 12
- N**
- Neatening
 - edges 24, 25
 - seam allowances 24, 25
 - thick fabrics 24, 25
 - cover stitch 26, 27
 - overlock 26, 27
 - Needles
 - breaking 21, 62
 - inserting/replacing 19
 - positions (overlock/cover/chain stitch) 19
 - size 21
 - system 21
 - thread/fabric 21
 - Needle thread tension 23
 - fine tuning chain stitch 48
 - fine tuning cover stitch 45
 - fine tuning overlock 35
 - New spools/cones 32
 - knotting on 32
- O**
- One looper stitches
 - 2 thread overlock 24, 25
 - 2 thread flatlock 24, 25
 - 2 thread roll hem 24, 25
 - 3 thread super stretch 24, 25
 - upper looper converter 20
 - Opening/closing
 - looper cover 14
 - Overlock stitches
 - 4 thread 24, 25
 - 3 thread 24, 25
 - 2 thread 24, 25
 - flatlock 24, 25
 - roll hem 24, 25
 - super stretch 24, 25
- P**
- Practical sewing
 - cover stitch 58–62
 - overlock 52–57
 - chain stitch 63
 - Poor stitch formation 66
 - Power switch 12
 - Presser foot
 - changing 14
 - cover stitch foot 9
 - raising 13
 - markings 53
 - overlock foot 18
 - pressure 5
 - swing-out 14
 - tape guide 14, 52
 - Puckering seams 67
- R**
- Replacing
 - bulb 64
 - knives 64
 - knife guard 38
 - needles 19
 - presser foot 14
 - spools/cones 32
 - R needle
 - threading 40
 - tension 23, 33, 40
 - Roll hem 20, 24, 25
- S**
- Safety control light 12
 - Safety features 12, 37
 - cover stitch 37
 - overlock 12
 - Safety regulations 3
 - Seams
 - adjusting width 15
 - cross 17
 - allowances/neatening 24
 - in fine fabrics 24–27
 - in knits 24–27
 - in stretch fabrics 24–27
 - puckering 16, 17
 - unpicking 57, 58
 - waving knits 16, 17
 - Seam guides
 - left 54
 - right 54
 - Seam guide markings 53
 - Securing thread ends
 - chain stitch 49
 - cover stitch 58
 - overlock 55
 - Selection
 - cover/chain stitch/overlock 22
 - overlock/roll hem 20
 - stitch chart 24–27
 - Sewing in tape 52
 - Sewing light 12
 - Sewing speed 10
 - Sewing test
 - chain stitch 48
 - cover stitch 45
 - overlock 33
 - Sewing
 - tubular items 57
 - with decorative threads 21
 - with differential feed 16, 17
 - Skipped stitches 66
 - Slow sewing 10, 36
 - Spare knife 64
 - Special accessories 67
 - Spools- positioning 11
 - replacing 32
 - Spool pins 7, 11
 - Stabilising seams 52
 - Starting to sew
 - cover stitch 45
 - overlock 33
 - Stitch selection dial 22, 23
 - Stitch chart 24–27
 - Stitch formation 22–27

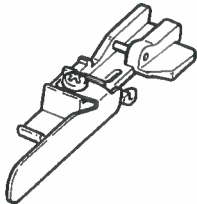
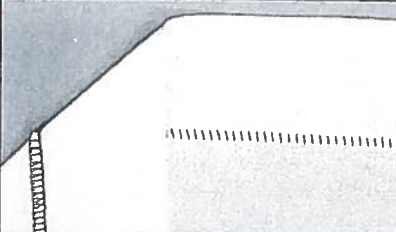
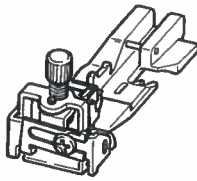

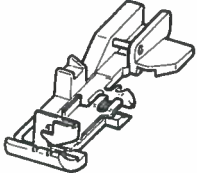

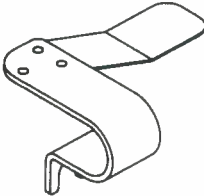
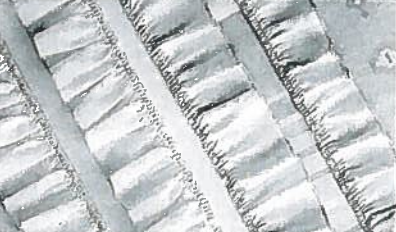
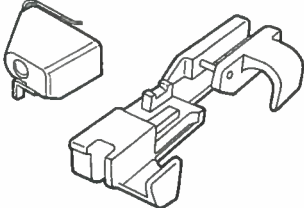
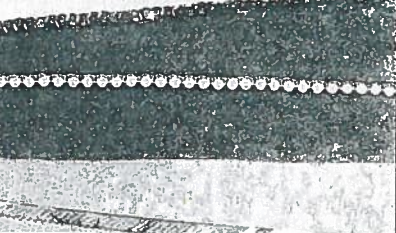
Stitch length	15	U	
· adjusting	15		
Stitch types		Uneven feed	66
· chain stitch	26, 27	Unpicking seams	
· 3 thread cover stitch	26, 27	· chain stitch	49
· 4 thread cover stitch	26, 27	· cover stitch	58
· 4 thread overlock	24, 25	· overlock	57
· 3 thread overlock	24, 25	Upper knife	
· 3 thread		· raising/lowering	18
super stretch	24, 25	Upper knife arm	
· 3 thread roll hem	24, 25	· raising/lowering	37
· 3 thread		Upper looper	
narrow seam	24, 25	· threading	29
· 2 thread overlock	24, 25	· release	
· 2 thread roll hem	24, 25	(cover/chain stitch)	37
· 2 thread		W	
wrapped overlock	24, 25	Waste collector	11
Stitch width	19	Wave-free seams in knits	17
· 3 thread overlock	19	Wide cutting width	19
Support rod	10		
Swing-out foot	14		
Switch - power/light	12		
T			
Technical Data	70		
Thread			
· breakage	66		
· cutter	33		
· recommendations	11		
· replacing	32		
Thread ends			
· securing	55		
Thread guide stand	10		
· assembling	10		
Threading			
· chain stitch	26, 46		
· cover stitch	26, 39		
· completing	28, 32		
· 3/4 thread overlock	24, 25		
· 2 thread overlock	24, 25		
· 3 thread			
super stretch	24, 25		
· loopers	28		
· overlock stitches	29		
· preparation	28		
· tips	28		
Thread/needle/fabric	21		
Thread tension	23		
· checking cover stitch			
sewing test	45		
· checking overlock			
sewing test	35		
· fine tuning chain stitch	48		
· fine tuning cover stitch	45		
· fine tuning overlock	33		
· special threads	34		
Tidy work area	11		
Test sewing			
· chain stitch	48		
· cover stitch	45		
· overlock	33		

Technical data

Stitch types:	
Cover stitch:	3 needles 1 looper 5 mm 2 needles 1 looper 5 mm 2 needles 1 looper 2,5 mm
Chain stitch:	1 needle 1 looper
Overlock:	
	2 needles 2 loopers: 4 thread overlock with integrated safety seam 2 needles 1 looper: 3 thread super stretch 1 needle 2 loopers: 3 thread overlock, flatlock, roll hem 1 needle 1 looper: 2 thread overlock, flatlock, roll hem
Seam width:	
	2.5 mm 2 needle cover stitch 5 mm 3 needle cover stitch 2 needle cover stitch
	3-7 mm 2/3 thread overlock 5-7 mm 4 thread overlock/3 thread overlock
Stitch length:	1-4 mm
Differential feed:	Pushing effect: N-2 Stretching effect: 0.7-N
Presser foot:	Standard foot (swing-out), snap-on sole Cover stitch foot (compensating foot), snap-on sole
Presser foot lifter:	Two-step. Max. lift 7 mm.
Integrated accessories:	Roll hemmer, tape guide
Handwheel:	Rotates forwards (anti-clockwise)
Needle system:	130/705H (JLx2 can be used if necessary for cover/chain stitch)
Electronic needle stop:	Cover stitch Position F, generally down Chain stitch Position G, generally down Overlock stitches Positions A-E, generally up
Sewing speed:	Max. 1500 s.p.m. for overlock stitches (Pos. A-E) Max. 800 s.p.m. for cover stitch (Pos. F) Max. 800 s.p.m. for chain stitch (Pos. G)
Safety:	Micro safety switches LED safety control lamps
Weight:	2500DCE 8.8 kg
Dimensions:	335 W x 295 D x 340 H mm
Foot control:	Model Nr. YC-425

We reserve the right to make changes in the interests of technical progress.

Remove needle R when using these special presser feet

<p>Blind stitch foot</p>		
<p>Elasticator</p>		
<p>Cording foot</p>		
<p>Gathering attachment</p>		
<p>Multi-purpose foot with guide</p>		
<p>BERNINA 2500DCE video (in preparation)</p>	<p>Instruction video covering overlock, cover and chain stitches</p>	<p>approx. 30 mins.</p>
<p>Sewing Service Leaflet 16 Blind Stitch Foot</p>	<p>Explains use and applications.</p>	<p>4 pages</p>
<p>Sewing Service Leaflet 17 Cording Foot</p>	<p>Explains use and applications.</p>	<p>4 pages</p>
<p>Sewing Service Leaflet 18 Elasticator</p>	<p>Explains use and applications.</p>	<p>6 pages</p>
<p>Sewing Service Leaflet 23 Gathering Attachment</p>	<p>Explains use and applications.</p>	<p>4 pages</p>
<p>Sewing Service Leaflet 24 Cover and chain stitch</p>	<p>Explains use and applications.</p>	<p>6 pages</p>

BERNINA® 2500DCE			NL	NC	NR	UL	LL	SSL	SL
A	1	4 thread overlock mit integrierter Sicherheitsnaht	!	!	•	●	●	▲	2.5
	2	3 thread super stretch	!	!	•	■	●	▲	2.5
	3	3 thread overlock	!	!	•	●	●	▲	2.5
	4	2 thread wrapped overlock	!	!	•	■	●	▲	2.5
	5	3 thread narrow seam	•	!	•	●	●	▽	1-1.8
	6	2 thread roll hem	•	!	•	■	●	▽	1-1.8
B	1-6	With woolly nylon or similar decorative threads							
C	7	3 thread roll hem	•	!	•	●	●	▽	1-1.8
D	8	3 thread flatlock	!	!	•	●	●	▲	2.5
E	9	2 thread flatlock	!	!	•	■	●	▲	2.5
F	10	4 thread cover stitch	!	!	!		●	▲	3
	11	3 thread cover stitch	!	•	!		●	▲	3
	12	3 thread narrow cover stitch	!	!	!		●	▲	3
G	13	2 thread chain stitch	•	•	!		●	▲	2.5

NL = Needle L

NC = Needle C

NR = Needle R

UL = Upper looper

LL = Lower looper

SSL = Stitch selection lever

SS = Stitch length

CW = Cutting width

Tips:

- Raise the presser foot to release the tensions when threading or knotting on thread.
- Select position «B» for woolly nylon or similar decorative threads.

!	Insert needle L and thread
!	Insert needle C and thread
!	Insert needle R and thread
!	Thread needle L or C
!	Thread needle L or R
•	Do not thread needle, remove needle
●	Thread the upper looper
●	Thread the lower looper
●	Thread the lower looper
▲	Move stitch selection lever to overlock
▽	Move stitch selection lever to roll hem
—	Raise the upper knife and upper knife arm
	Attach the cover stitch extension plate

Converting from overlock to cover/chain stitch

1. Turn stitch selection dial to position F for cover stitch or G for chain stitch.
2. Press the needle stop button to lower the needle clamp.
3. Remove the waste collector and open the looper cover.
4. Switch converter arm from overlock to cover stitch.
5. Remove the knife guard and attach the cover/chain stitch extension plate.
6. Turn the handwheel to bring the needle clamp into its highest position.
7. Raise the presser foot and swing out.
8. Raise the upper knife and upper knife arm.
9. Cut all threads and remove any chain.
10. Insert needles in the appropriate cover/chain stitch positions (tools in looper cover). *-Change foot if necessary*
11. Thread cover or chain stitch needles.
12. Thread cover/chain stitch looper (purple markings). Close the looper cover.
13. Swing the foot back. Adjust the stitch length and differential feed to suit stitch and fabric.
14. Sewing test: Place fabric under the foot and needles. Sew. When the seam is complete, turn the handwheel away from you (clockwise) to raise the needles. Raise the presser foot, remove work and c threads.

Converting from cover/chain stitch to overlock

1. Turn the stitch selection dial to desired position (A-E).
2. Lower the presser foot and press Needle stop to lower the needle clamp.
3. Open the looper cover.
4. Switch converter arm from cover/chain stitch to overlock.
5. Remove the extension plate and replace it with the knife guard.
6. Turn handwheel to bring needle clamp into its highest position.
7. Raise the presser foot and swing it out.
8. Cut all threads and remove any thread chain.
9. Insert overlock needle(s) in the appropriate positions for the stitch of your choice (tools in looper cover)
10. Thread needle(s).
11. Thread overlock looper(s) (depending on stitch choice).
12. Swing foot back and lower.
13. Lower the upper knife arm and upper knife if necessary.
14. Close the looper cover and attach waste collector.
15. Adjust stitch length, differential feed and cutting width to suit stitch and fabric.
16. Test sew: Raise the tip of the presser foot and position fabric (an overlock chain can also be formed without fabric). Continue sewing at the end of the seam until an 8 cm (3") chain is formed. Cut threa

